



Benuna

Specification Guide

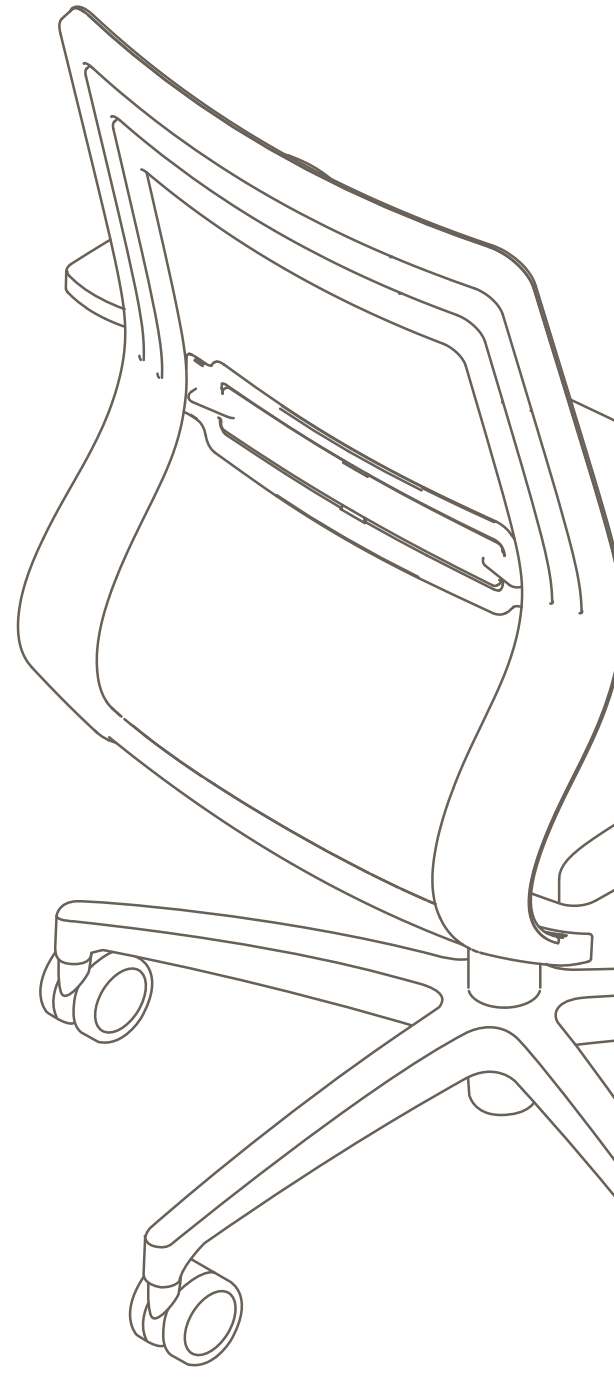
Benuna

Comfort has never looked
so good.

Attractive, fun and
focused on making you
feel good... the Benuna
Chair could just be
your ideal partner.



Benuna



Benuna Finishes

1. Back Mesh

Gabriel Fabric - Runner range
Please advise



2. Seat Pad

Gabriel Fabric - Atlantic range
Please advise



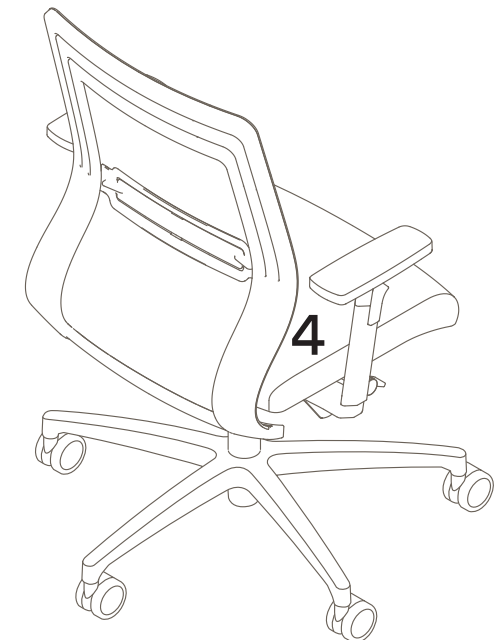
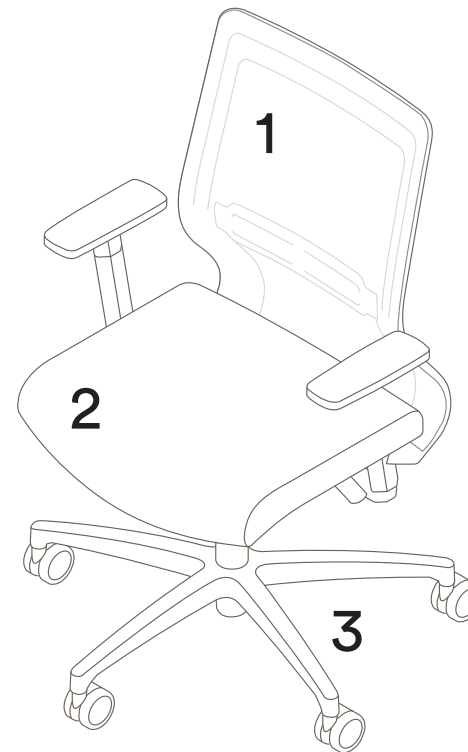
3. 5 Star Base

Black Base, Black Gas Strut
White Base, Black Gas Strut
Polished Base, Chrome Gas Strut



4. Back Rest and Adjustable Arms

Black and White
Please advise



Colours are representative only, please check with your Thinking Works consultant to view samples of any specific colour.

Benuna Features

Materials Information

Back Mesh

Upholstered Back Mesh

- a. Gabriel Fabric - Runner range

Seat Pad

Upholstered Seat Pad

- a. Gabriel Fabric - Atlantic range

Adjustable Arm

Adjustable Support Arm

- a. Black
- b. White

5-Star Base

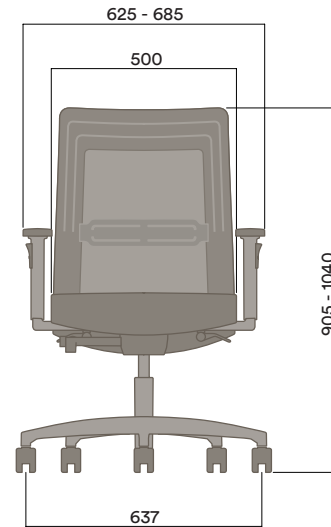
Foot & Gas Strut

- a. Black Foot, Black Gas Strut
- b. White Foot, Black Gas Strut
- c. Polished Foot, Chrome Gas Strut

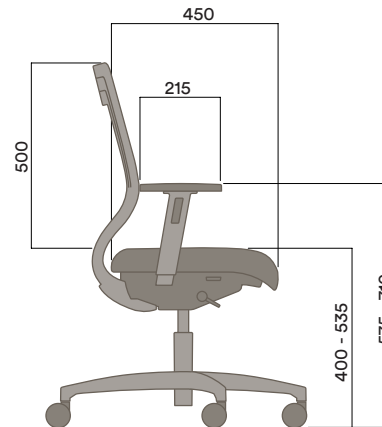
Chair Options
Seat Height Range
Weight Capacity

No arms / With arms
400mm to 535mm
120kg

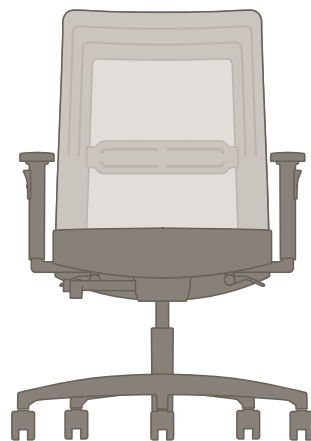
BEN-1000 Series



Benuna Chair

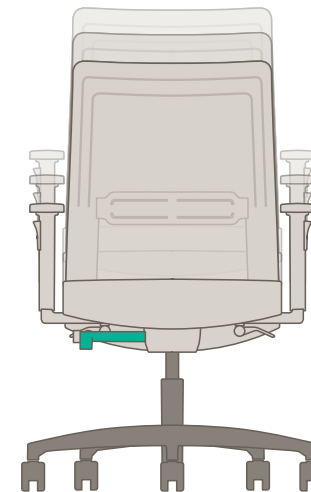


Chair Features



Back Mesh

The Benuna Chair back is designed to provide comfort and support to your body's changing movements. The upholstered mesh is tensioned to cradle your back for constant lumbar support while adapting to changing sitting postures throughout the work day.



Height Adjustment

The Benuna Chair allows for the height of the seat to be adjusted to suit your height providing an ergonomically correct position for your legs. The seat height is adjusted using the paddle lever on the right side of the seat underside.

Benuna Features

Materials Information

Back Mesh

Upholstered Back Mesh

- a. Gabriel Fabric - Runner range

Seat Pad

Upholstered Seat Pad

- a. Gabriel Fabric - Atlantic range

Adjustable Arm

Adjustable Support Arm

- a. Black
- b. White

5-Star Base

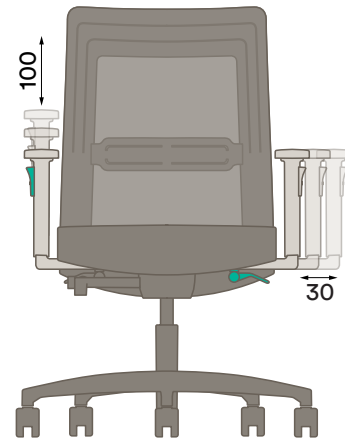
Foot & Gas Strut

- a. Black Foot, Black Gas Strut
- b. White Foot, Black Gas Strut
- c. Polished Foot, Chrome Gas Strut

Chair Options
Seat Height Range
Weight Capacity

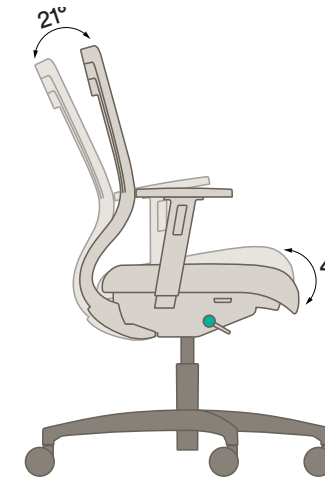
No arms / With arms
400mm to 535mm
120kg

Chair Features



Adjustable Arms

The Benuna Chair's height adjustable arms provide an area to effectively support the weight of your arms. The height adjustment mechanism is operated with a simple and intuitive lever for fast and effortless height adjustment. The width of the arms can also be adjusted via the lever located on the underside of each arm.

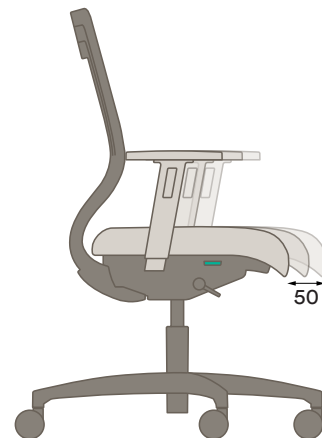


Movement

The Benuna Chair incorporates synchronised movement of the seat and back which allows you to stretch and recline while maintaining your eye line effectively at the same height. The seat mechanism features a self-adjustment system which measures the weight of the user and adjusts the seat tension accordingly. The turn dial on the end of the height adjustment lever allows the user to limit the recline of the backrest in five positions.

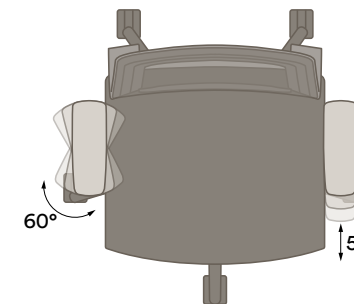
Seat Adjustment

The Benuna Chair's seat depth can be adjusted to accommodate your specific leg length so that your back is cradled against the tensioned back rest while your body weight is evenly distributed over the entire seat pad. The seat depth can be adjusted using the lever on the right side of the seat underside.



Adjustable Arm Rest

In addition to height adjustable arms, the arm rest of the Benuna Chair can also be adjusted to maximise comfort and further support the weight of your arms. The arm rest can be pushed back and forth and rotated to achieve the desired ergonomic position.





Specification

If you would like a sample set of any of our finishes, please call us on 61 (0)2 9726 7177 or e-mail at sales@thinkingw.com.

Due to our policy of continuous product development, specifications and finishes may change without prior notice.

Sustainability Policy

We realise the importance of responsible business practices and have in place numerous product and company sustainability certifications. We would encourage you to download our annual Sustainability Report from the Thinking Works website to get a full overview of our sustainability program.

Thinking Works
© Copyright 2018
All right reserved

Thinking Works
25 Helles Avenue
Moorebank
New South Wales 2170

www.thinkingw.com
61 (0)2 9726 7177
sales@thinkingw.com