



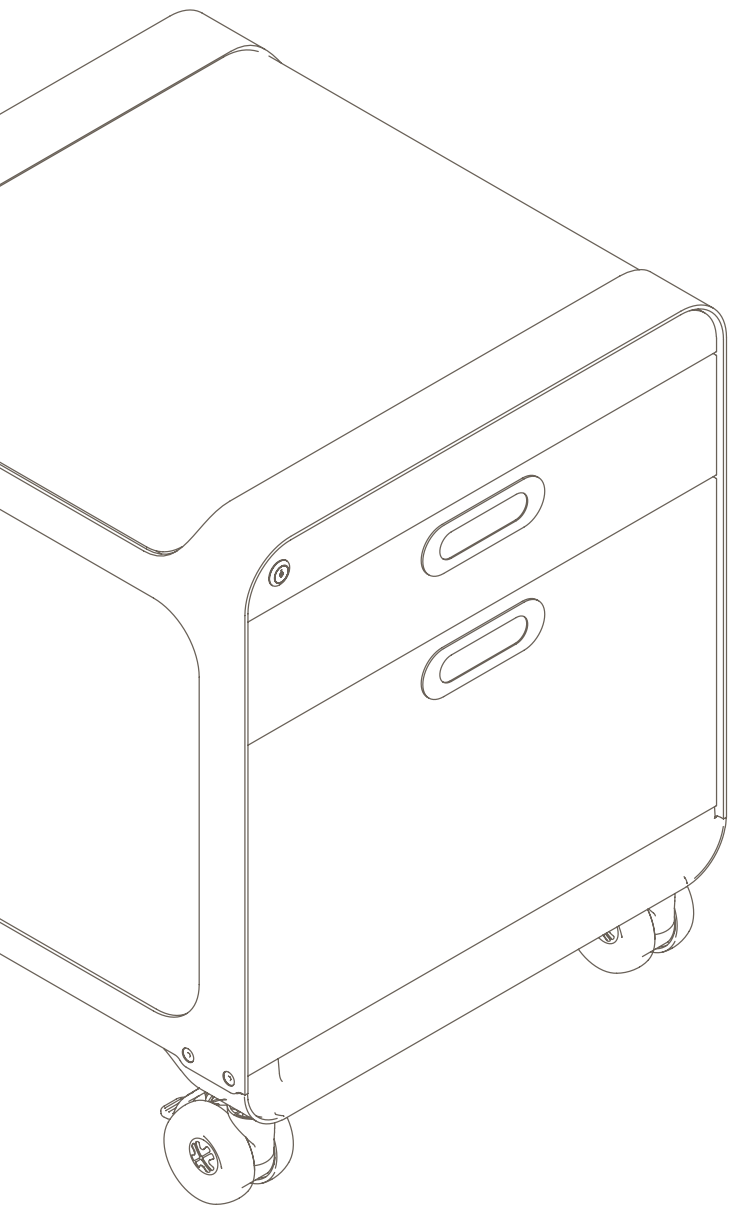
Casino

Specification Guide

Casino

Casino is a mobile storage solution ideally suited to flexible workplace environments. With mobile castors, a handle and a lock, Casino can go wherever you need it to go in your workplace setting.

Casino can be used as a storage pedestal for a work point or can be parked in a docking bay and wheeled to a desk of choice for the flexible worker.



Casino



Casino Finishes

The Casino mobile storage solution is available in 2 and 3 drawer versions. The frosted white side panels can accommodate graphics, signage and branding and can be changed whenever required.

Both the pedestal and caddy have a cushioned top that provides an optional seat for flexible meetings and impromptu gatherings. The mobile caddy also features lockable tambour door access.

1. Casino Frame

Steel frame of the Casino unit comes standard in Satin White.



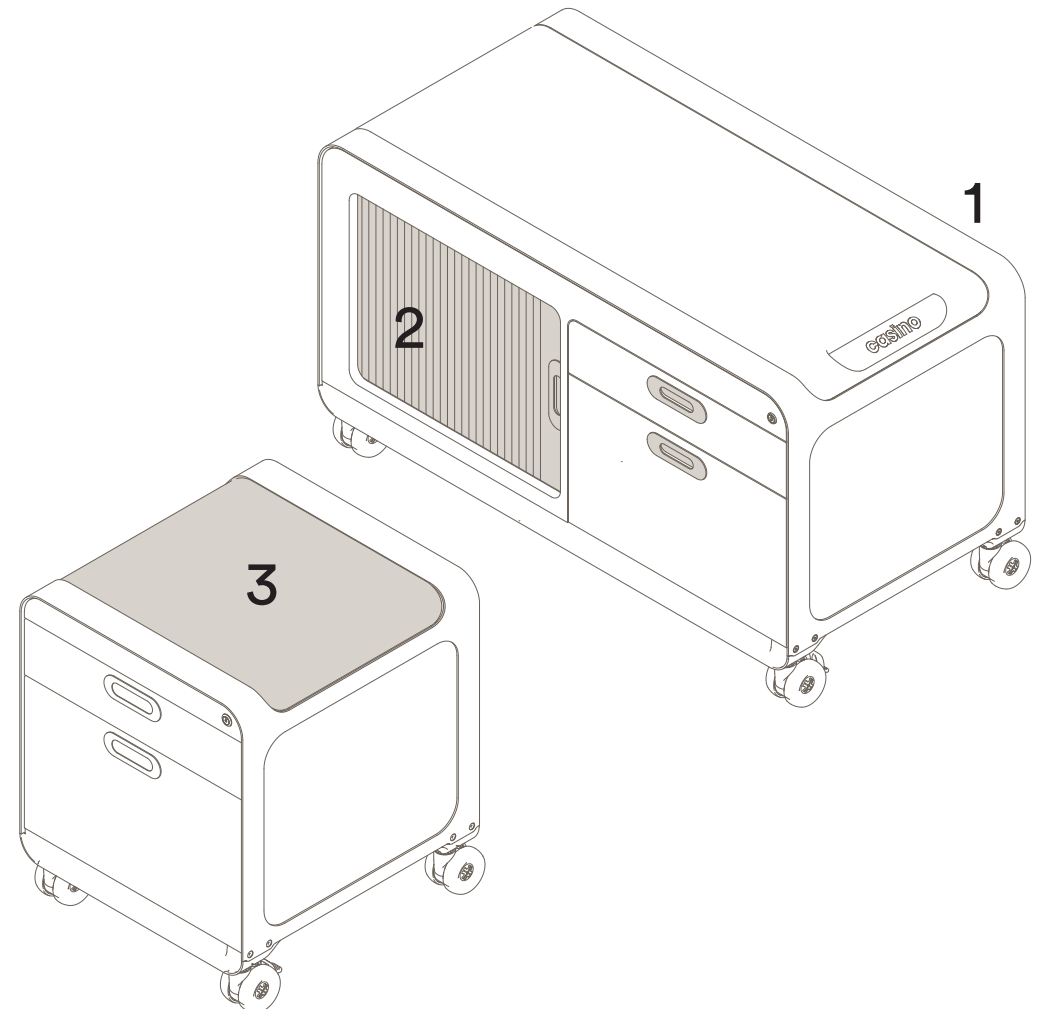
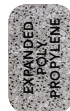
2. Tambour Door and Drawers

The tambour sliding door and drawer handles of Casino are finished in Brushed Aluminium.



3. Seat Cushion

Expanded polypropylene provides a soft seat cushion for the Casino.



Colours are representative only, please check with your Thinking Works consultant to view samples of any specific colour.

Casino Features

Materials Information

Frame Finish

White Satin Powdercoat Frame

Drawers and Door Finish

Brushed Aluminium Tambour Door and Drawer handles

Seat Pad Finish

Grey expanded Polypropylene Seat Pad

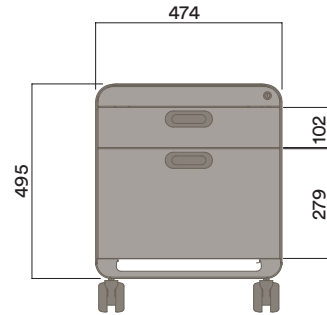
Graphics Side Panel

Clear Acrylic Side Panel

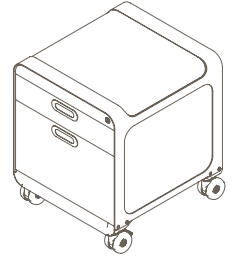
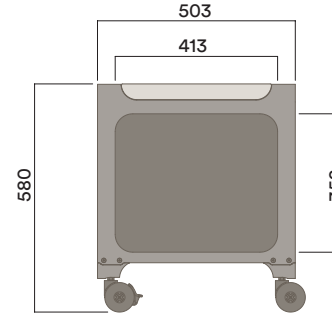
Castors Finish

Grey soft tread Castors

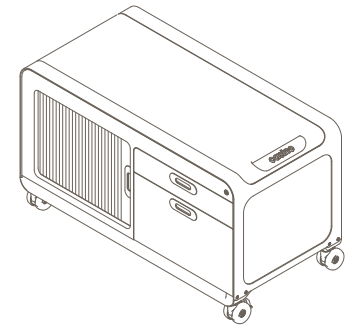
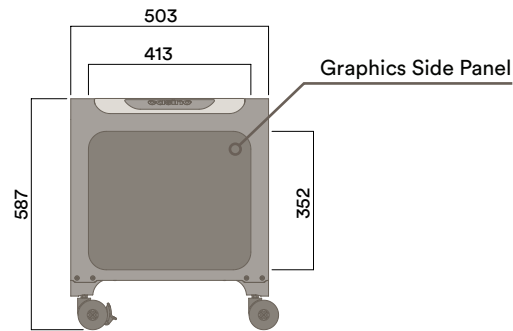
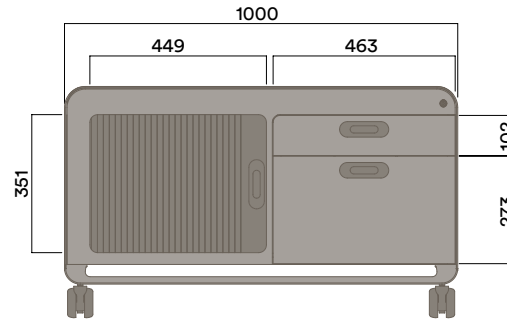
MC - 1210 Casino Rex



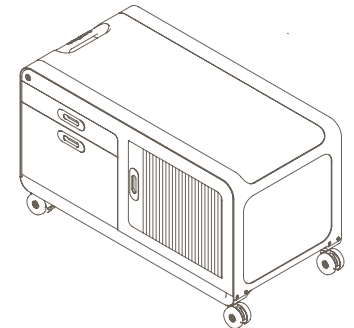
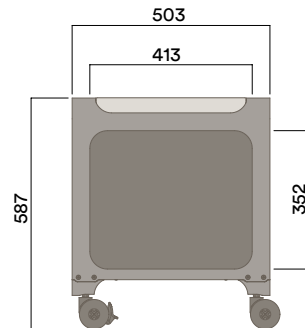
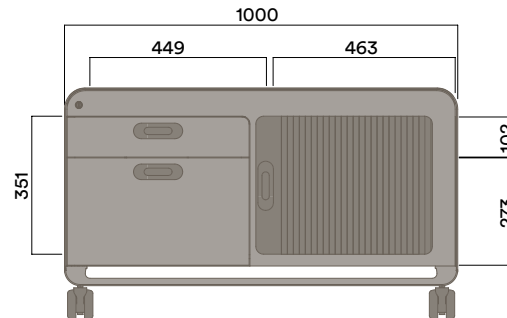
Mobile Slim 2 - Drawer



MC - 1500-RH Casino Caddy Mobile 2 - Drawer with Tambour Door



MC - 1500-LH Casino Caddy Mobile 2 - Drawer with Tambour Door



Graphic Side Panel

Clear acrylic Side Panel allows company logo or custom graphic to be printed and supplied with Casino Mobile units



Specification

If you would like a sample set of any of our finishes, please call us on 61 (0)2 9726 7177 or e-mail at sales@thinkingw.com.

Due to our policy of continuous product development, specifications and finishes may change without prior notice.

Sustainability Policy

We realise the importance of responsible business practices and have in place numerous product and company sustainability certifications. We would encourage you to download our annual Sustainability Report from the Thinking Works website to get a full overview of our sustainability program.

Thinking Works
© Copyright 2018
All right reserved

Thinking Works
25 Helles Avenue
Moorebank
New South Wales 2170

www.thinkingw.com
61 (0)2 9726 7177
sales@thinkingw.com