



# EONA Chilli

Specification Guide

# EONA Chilli

Stylish and sustainable,  
EONA brings a new lease  
of life.

Part of the EONA  
modular table system  
family, EONA Chilli is  
manufactured from  
post-consumer recycled  
materials, for outstanding  
environmental credentials  
without compromising on  
stunning design.

# EONA Chilli

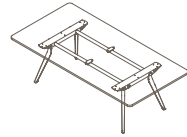
Round/Square

6



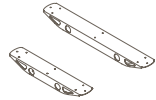
Rectangle

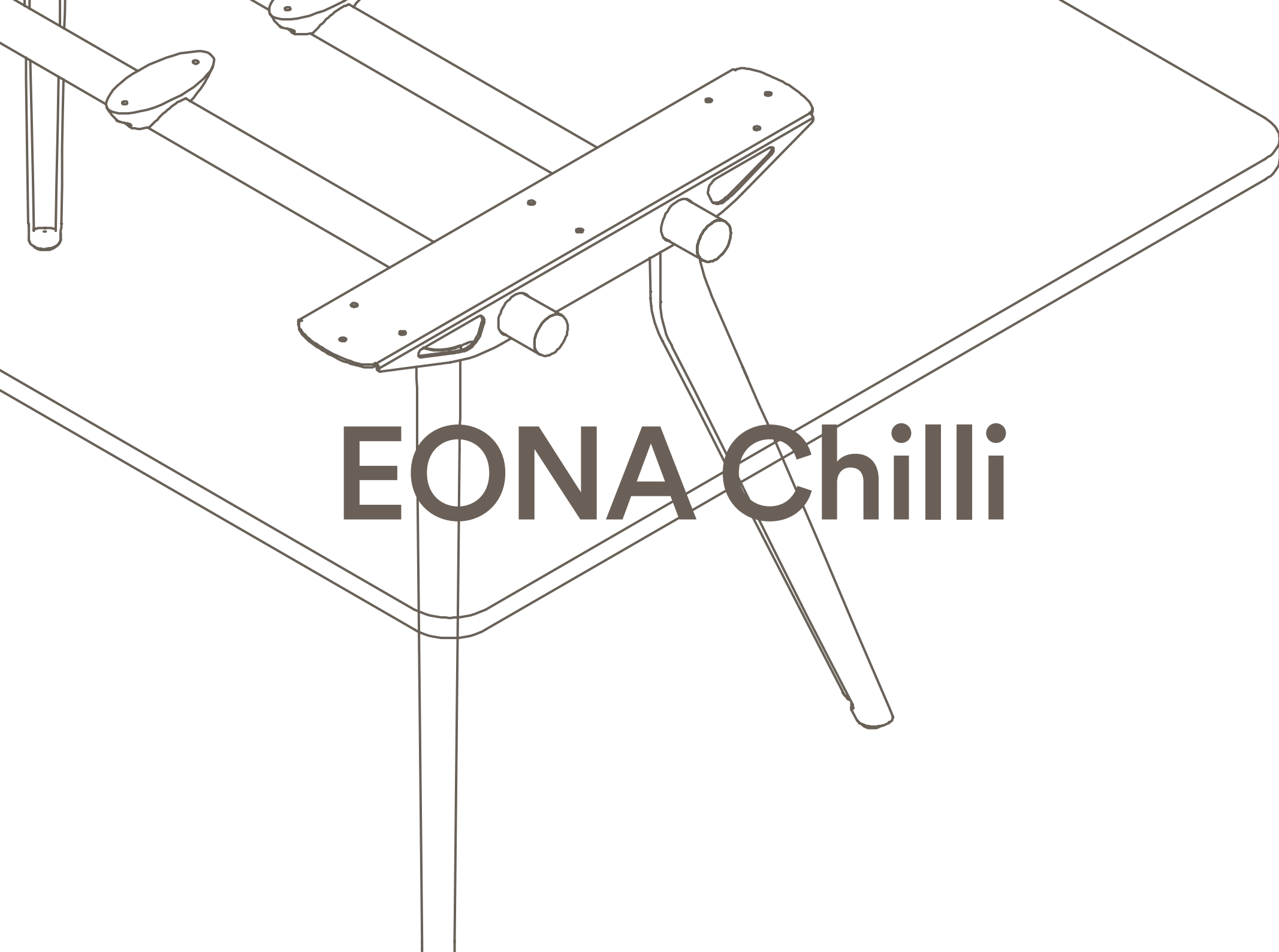
7-11



Features

12-13





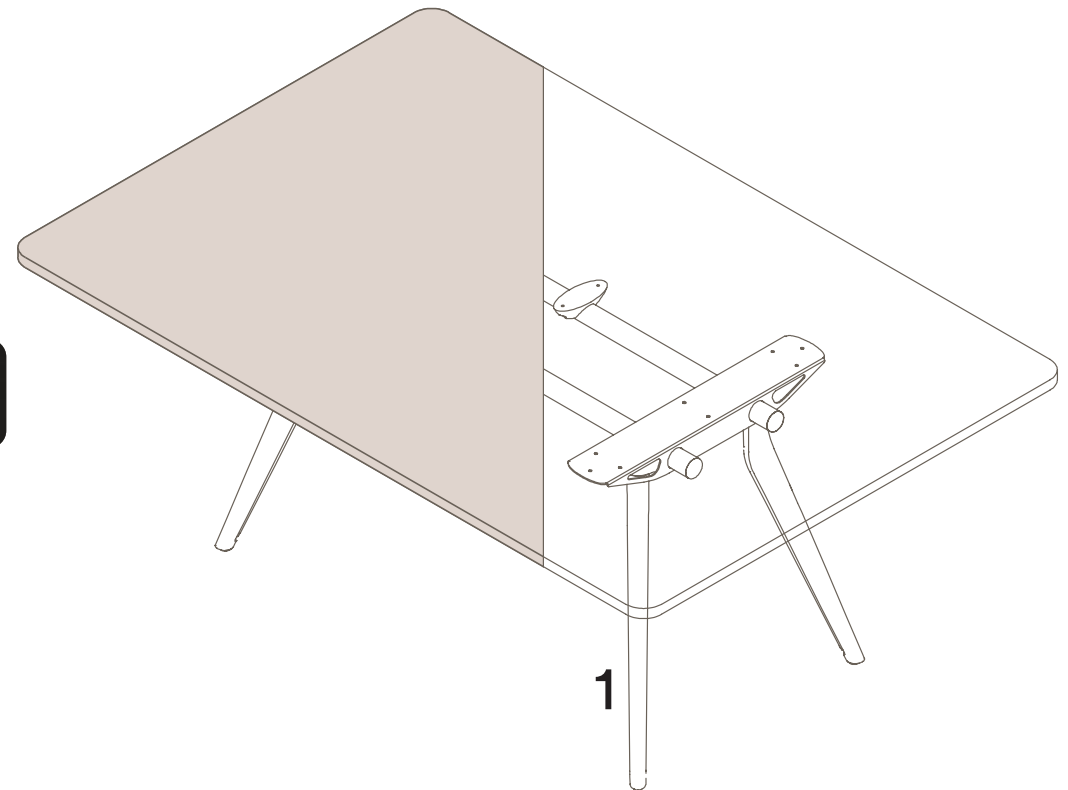
# EONA Chilli

# Table Finishes

EONA Chilli's timeless appeal makes it an eye-catching solution for the boardroom, conference or meeting room. Like the rest of its environmentally-friendly family, Chilli has been designed for 100% disassembly, making it ready for recycling.

## 1. Frame Finishes

Supported by steel framework, EONA Chilli legs are made from 100% post-consumer recycled aluminium, polished as standard. EONA Chilli is also available in our current season powdercoat colours listed. Custom colours are also available.



Colours are representative only, please check with your Thinking Works consultant to view samples of any specific colour.

# Tables

## Round / Square

### Materials Information

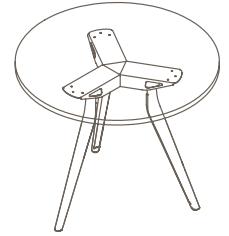
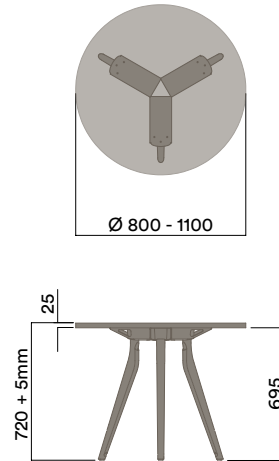
#### Leg Finish

EONA Chilli Legs are made from 100% post-consumer recycled aluminium.

- a. Polished (standard)
- b. Blanc
- c. Noir
- d. Double Cream
- e. Pink Salt
- f. Nocturnelle
- g. Morello
- h. Scotland Sky
- i. Green Smoke
- j. Moonshine
- k. Byron Blue
- l. Axel

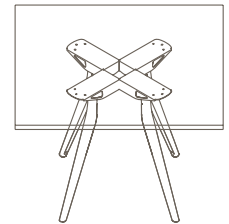
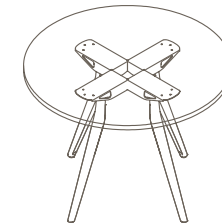
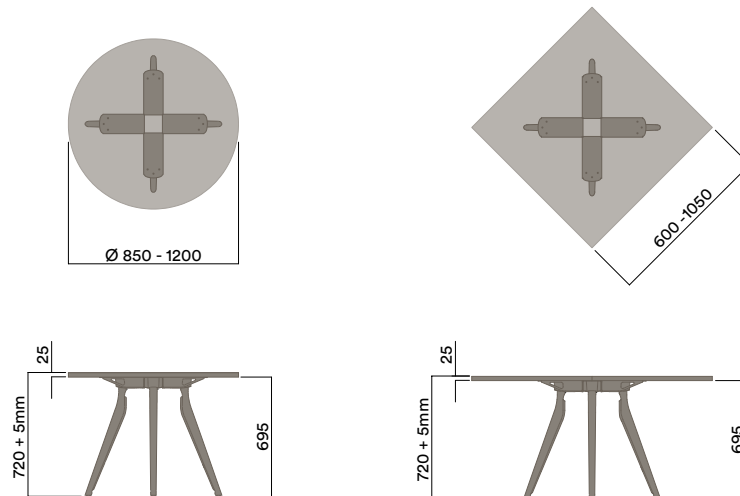
EC-3000

720 (standard Height)



EC-4000

720 (standard Height)



#### Frame Finish

Steel Top Horn

- a. Polished Chrome

Maximum inc. worktop 90kg  
 Maximum Point Load 30kg  
 Seats 3-4

# Tables

## Rectangle

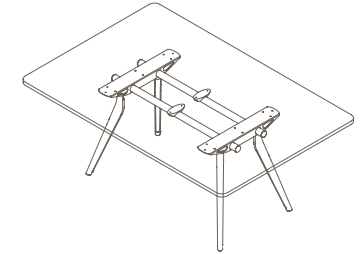
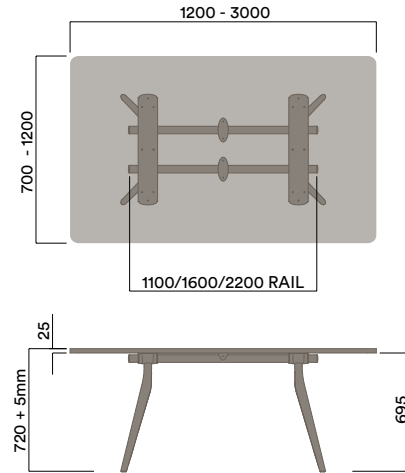
### Materials Information

#### Leg Finish

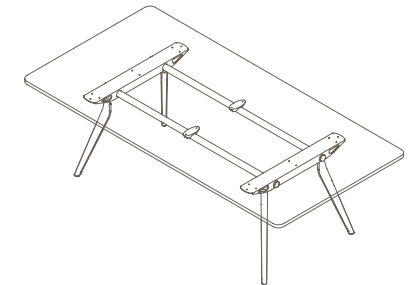
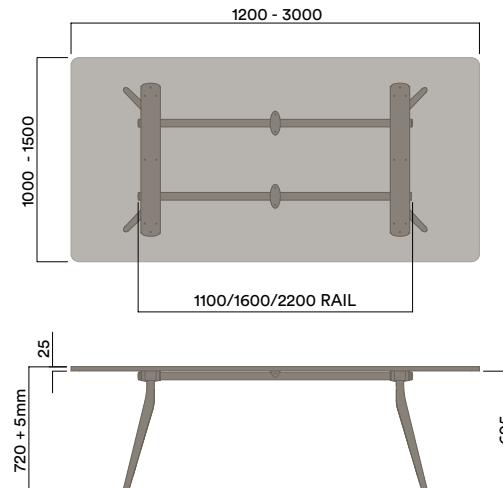
EONA Chilli Legs are made from 100% post-consumer recycled aluminium.

- a. Polished (standard)
- b. Blanc
- c. Noir
- d. Double Cream
- e. Pink Salt
- f. Nocturnelle
- g. Morello
- h. Scotland Sky
- i. Green Smoke
- j. Moonshine
- k. Byron Blue
- l. Axel

EC-1211, EC-1216, EC-1222 720 (standard Height)



EC-1211-XL, EC-1216-XL, EC-1222-XL 720 (standard Height)



Maximum inc. worktop 100kg  
 Maximum Point Load 30kg  
 Seats 4 - 8

# Tables

## Rectangle

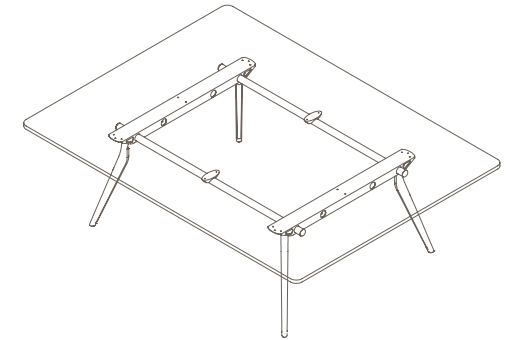
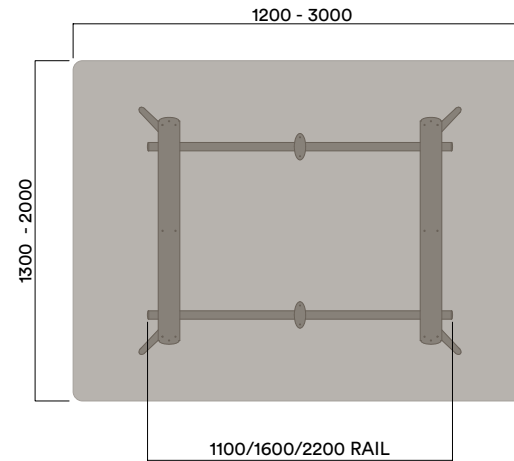
### Materials Information

EC-1211-XXL, EC-1216-XXL, EC-1222-XXL 720 (standard Height)

### Leg Finish

EONA Chilli Legs are made from 100% post-consumer recycled aluminium.

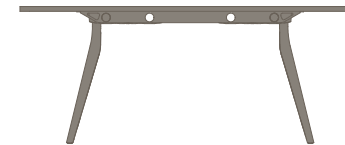
- a. Polished (standard)
- b. Blanc
- c. Noir
- d. Double Cream
- e. Pink Salt
- f. Nocturnelle
- g. Morello
- h. Scotland Sky
- i. Green Smoke
- j. Moonshine
- k. Byron Blue
- l. Axel



### Frame Finish

Aluminium Top Horn

- a. Black Powdercoat



Maximum inc. worktop 100kg  
Maximum Point Load 30kg  
Seats 4 - 8



# Tables

## Rectangle

### Materials Information

#### Leg Finish

EONA Chilli Legs are made from 100% post-consumer recycled aluminium.

- a. Polished (standard)
- b. Blanc
- c. Noir
- d. Double Cream
- e. Pink Salt
- f. Nocturnelle
- g. Morello
- h. Scotland Sky
- i. Green Smoke
- j. Moonshine
- k. Byron Blue
- l. Axel

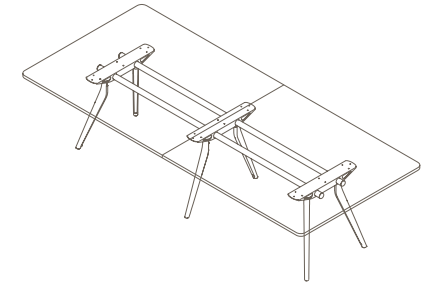
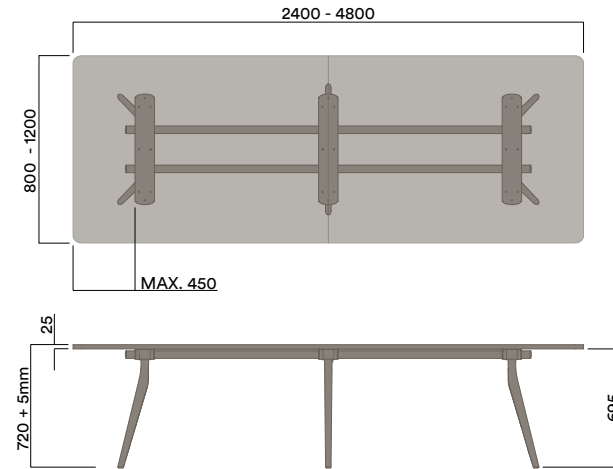
#### Frame Finish

Aluminium Top Horn

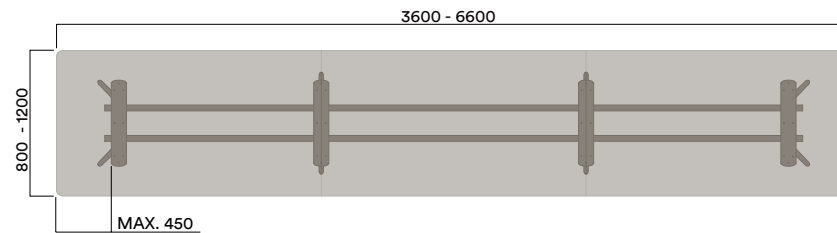
- a. Black Powdercoat

Maximum inc. worktop 160kg  
 Maximum Point Load 30kg  
 Seats 6 - 24

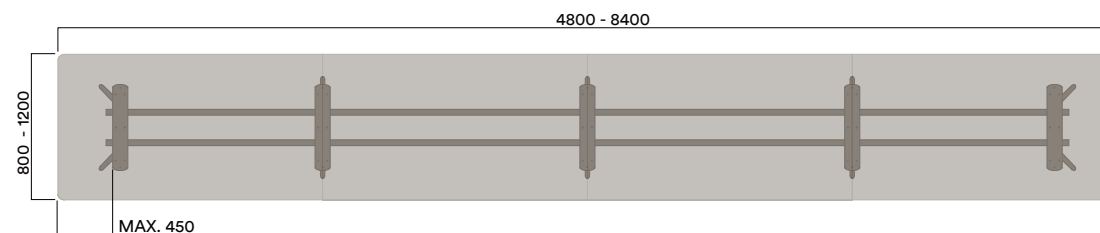
### EC-1300 6 Leg



### EC-1400 8 Leg



### EC-1500 10 Leg



# Tables Rectangle

## Materials Information

### Leg Finish

EONA Chilli Legs are made from 100% post-consumer recycled aluminium.

- a. Polished (standard)
- b. Blanc
- c. Noir
- d. Double Cream
- e. Pink Salt
- f. Nocturnelle
- g. Morello
- h. Scotland Sky
- i. Green Smoke
- j. Moonshine
- k. Byron Blue
- l. Axel

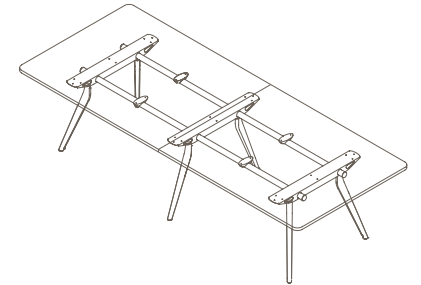
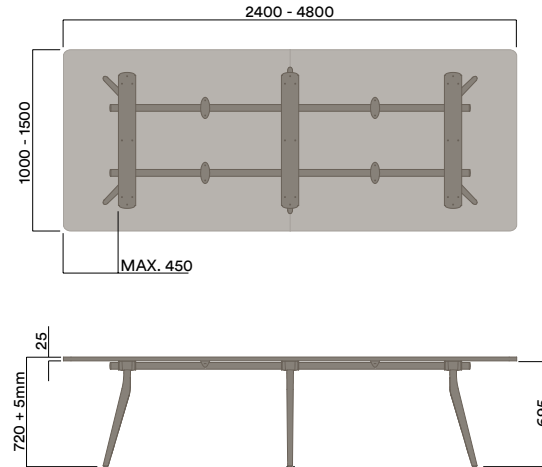
### Frame Finish

Aluminium Top Horn

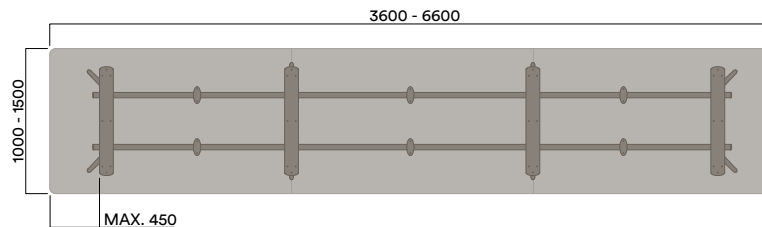
- a. Black Powdercoat

Maximum inc. worktop 160kg  
 Maximum Point Load 30kg  
 Seats 6 - 24

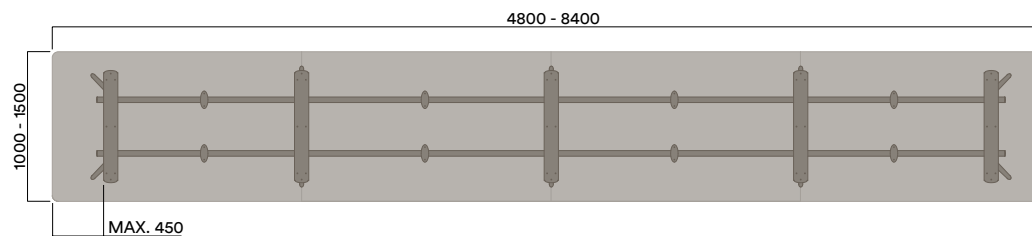
## EC-1300-XL 6 Leg



## EC-1400-XL 8 Leg



## EC-1500-XL 10 Leg



# Tables

## Rectangle

### Materials Information

#### Leg Finish

EONA Chilli Legs are made from 100% post-consumer recycled aluminium.

- a. Polished (standard)
- b. Blanc
- c. Noir
- d. Double Cream
- e. Pink Salt
- f. Nocturnelle
- g. Morello
- h. Scotland Sky
- i. Green Smoke
- j. Moonshine
- k. Byron Blue
- l. Axel

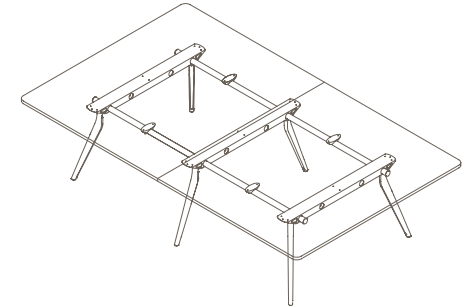
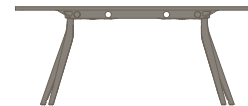
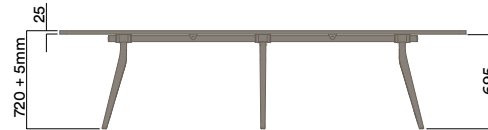
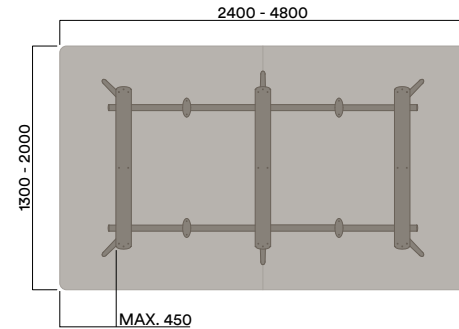
#### Frame Finish

Aluminium Top Horn

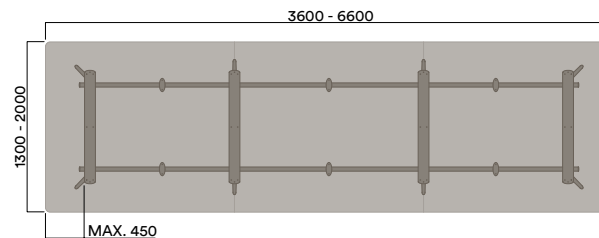
- a. Black Powdercoat

Maximum inc. worktop 160kg  
 Maximum Point Load 30kg  
 Seats 6 - 24

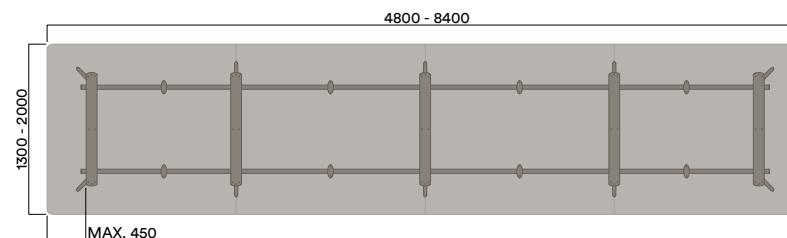
### EC-1300-XXL 6 Leg



### EC-1400-XXL 8 Leg



### EC-1500-XXL 10 Leg



# Tables Features

## Materials Information

### Leg Finish

EONA Chilli Legs are made from 100% post-consumer recycled aluminium.

- a. Polished (standard)
- b. Blanc
- c. Noir
- d. Double Cream
- e. Pink Salt
- f. Nocturnelle
- g. Morello
- h. Scotland Sky
- i. Green Smoke
- j. Moonshine
- k. Byron Blue
- l. Axel

### Frame Finish

Aluminium Top Horn

### Top Horns

Additional Top Horns can be purchased to provide adequate worktop support on odd worktop splits

Top Horns available to suit standard, XL and XXL width EONA Chilli frames

### Dropdown Top Horns

Additional Dropdown Top Horns can be purchased to provide placement of powerboxes without frame interference

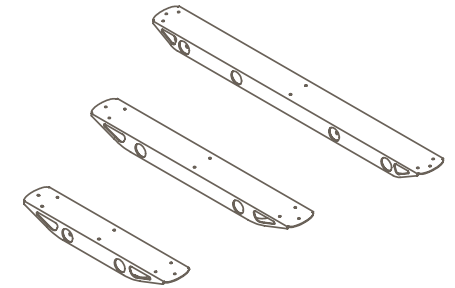
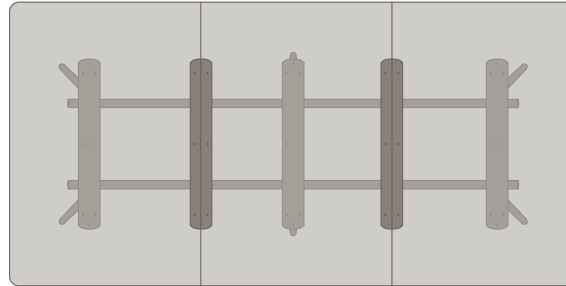
Standard and custom Dropdown Horns available upon request

### Leg Stances

Stance of EONA Chilli legs can be installed at either narrow or wide stance at 3 angle options to suit odd worktop shapes and preferred leg clearances

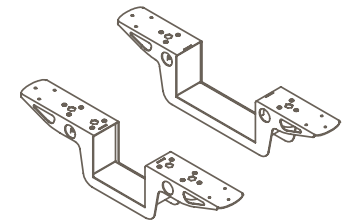
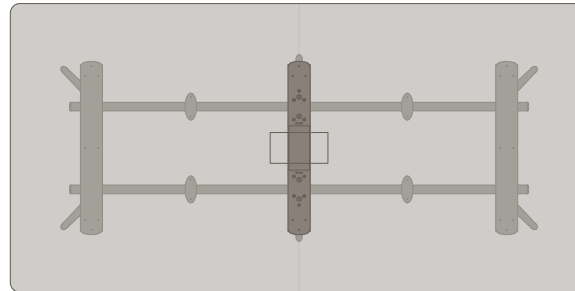
## Worktop Management

## Additional Top Horns



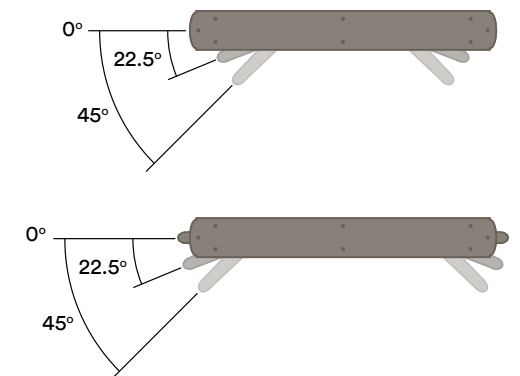
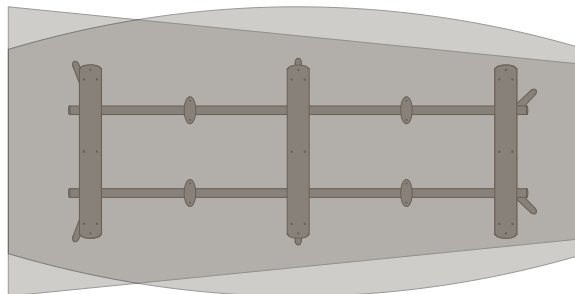
## Powerbox Management

## Dropdown Top Horn



## Installation

## Narrow - Wide Leg Stances



# Tables Features

## Materials Information

### Leg Finish

EONA Chilli Legs are made from 100% post-consumer recycled aluminium.

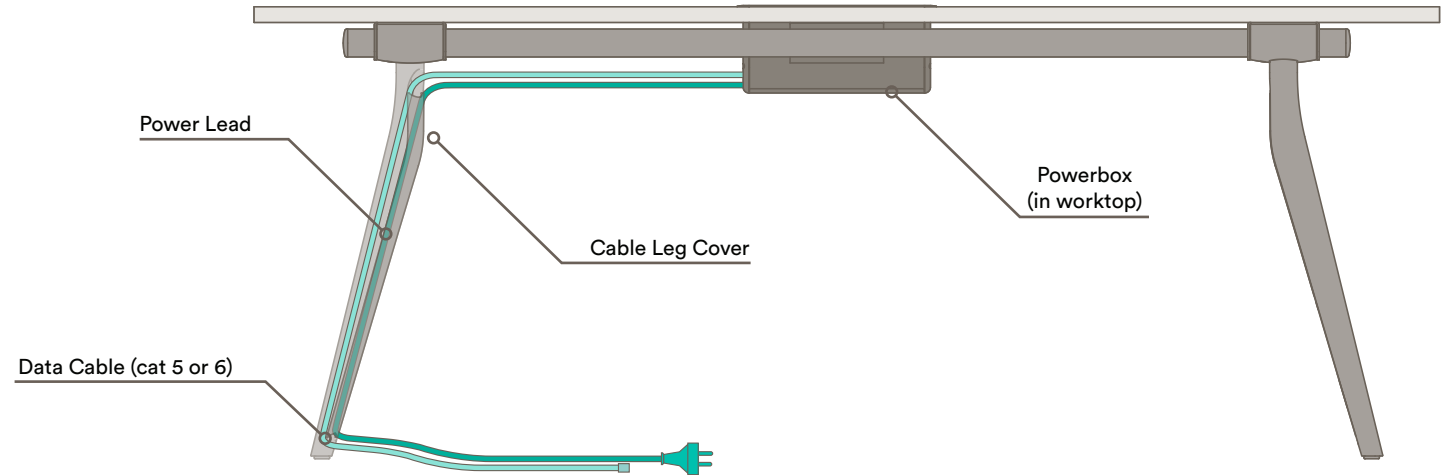
- a. Polished (standard)
- b. Blanc
- c. Noir
- d. Double Cream
- e. Pink Salt
- f. Nocturnelle
- g. Morello
- h. Scotland Sky
- i. Green Smoke
- j. Moonshine
- k. Byron Blue
- l. Axel

### Frame Finish

Aluminium Top Horn

## Cable Management

## In-Leg Power + Data



### Integrated Cable Management

EONA Chilli Legs allow for power and data leads to run from underside of worktop to the floor to provide concealed cable management

### Cable Capacity

Segregated

1x 16mm Plastic Power Conduit  
2x 6mm Cat 5 and 6 Data Cable

Unsegregated

1x 12mm 20amp Power Cable  
6x 6mm Cat 5 and 6 Data Cable



## Specification

If you would like a sample set of any of our finishes, please call us on 61 (0)2 9726 7177 or e-mail at sales@thinkingw.com.

Due to our policy of continuous product development, specifications and finishes may change without prior notice.

## Sustainability Policy

We realise the importance of responsible business practices and have in place numerous product and company sustainability certifications. We would encourage you to download our annual Sustainability Report from the Thinking Works website to get a full overview of our sustainability program.

Thinking Works  
© Copyright 2018  
All right reserved

Thinking Works  
15-23 Helles Avenue  
Moorebank  
New South Wales 2170

www.thinkingw.com  
61 (0)2 9726 7177  
sales@thinkingw.com