



Seamless

Specification Guide

Seamless

Seamless Power + Data
Modules represent
the convergence of
technology with superior
furniture without
aesthetic compromise.

Seamless

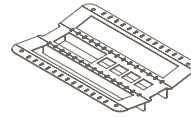
Seamless Power
+ Data Modules

6-9



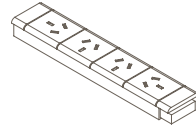
Power/ Data
Plates

10



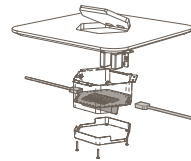
Power, Data +
AV Accessories

11



Assembly

12-15





Seamless

Data Module Finishes

1. Lid (To Match Worktop)

- a. Veneer
- b. Melamine
- c. Laminate



2. Chassis

- a. Black Powdercoat



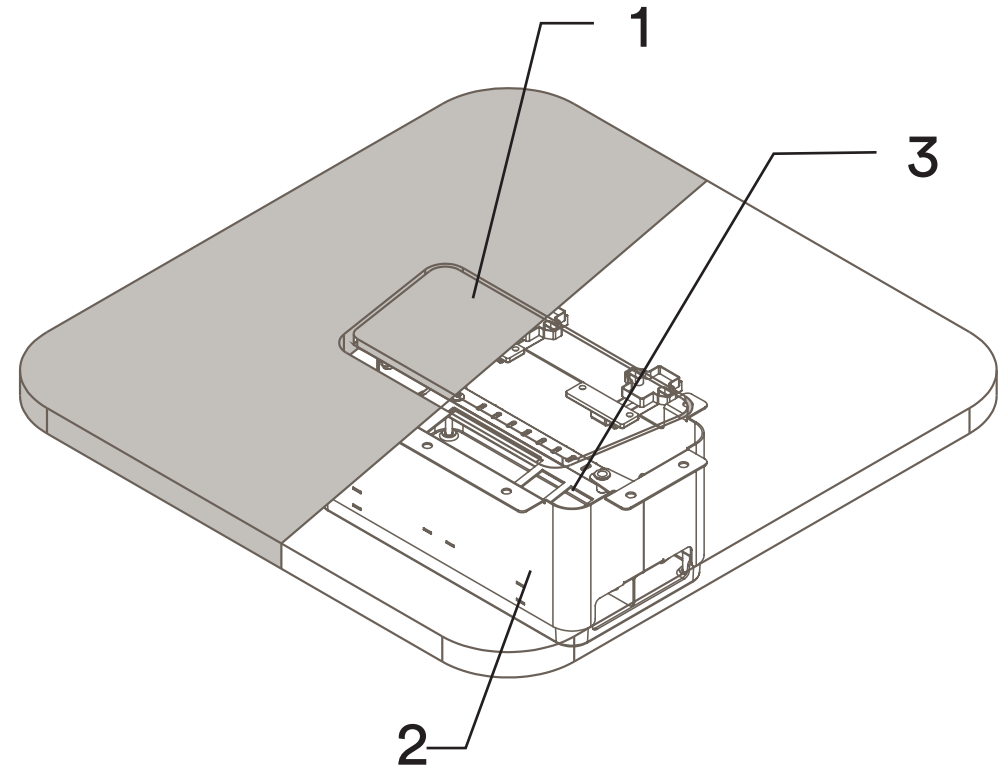
3. Data Plate

- a. Black Powdercoat



Features

- Removable base
- Adjustable lid stop
- Adjustable Worktop leveling
- Up to 100mm of Additional Mounting Parts for Data + Audio/
Visual Accessories



Colours are representative only, please check with your Thinking Works consultant to view samples of any specific colour.

Seamless Module A SE-1010

Materials Information

Lid Finish

- a. Veneer
- b. Melamine
- c. Laminate

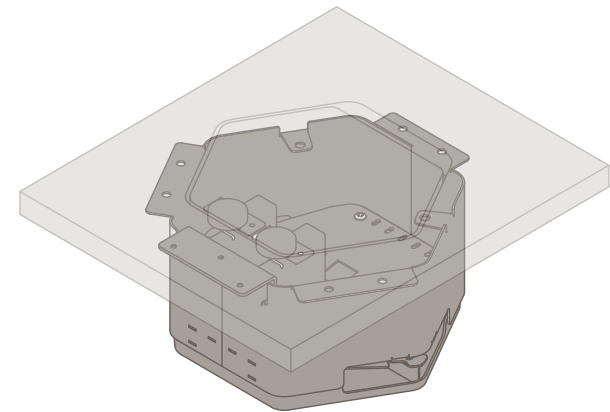
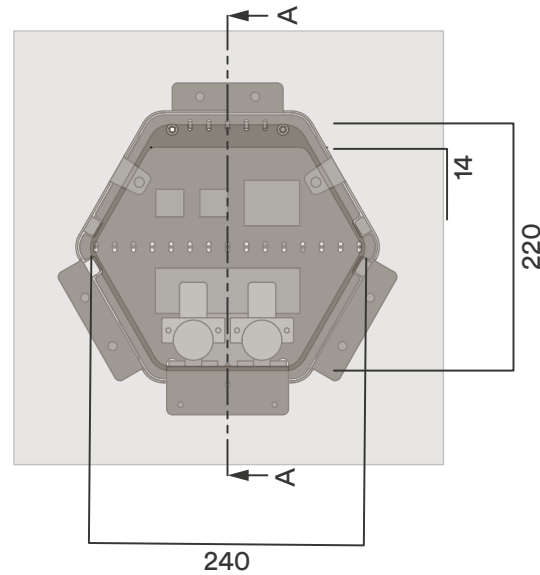
Chassis Finish

- a. Black Powdercoat

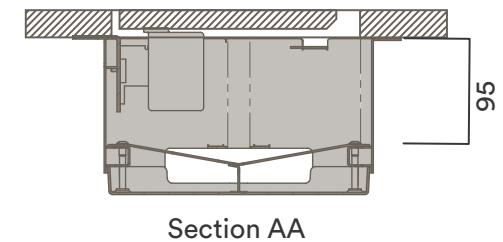
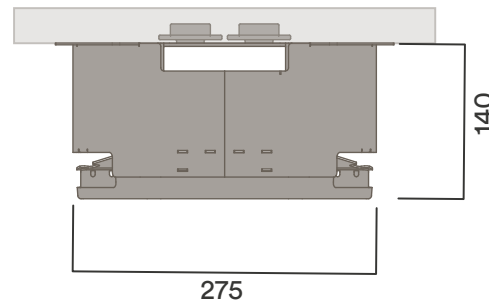
Data Mounting Plates

- a. Black Powdercoat

Worktop Cutout Specifications



Overall/Internal Dimensions



GPO's supplied	2
Data provision	2
Additional Mounting	50mm

Suits Breakout and Small Meeting tables

Seamless Module B SE-1020

Materials Information

Lid Finish

- a. Veneer
- b. Melamine
- c. Laminate

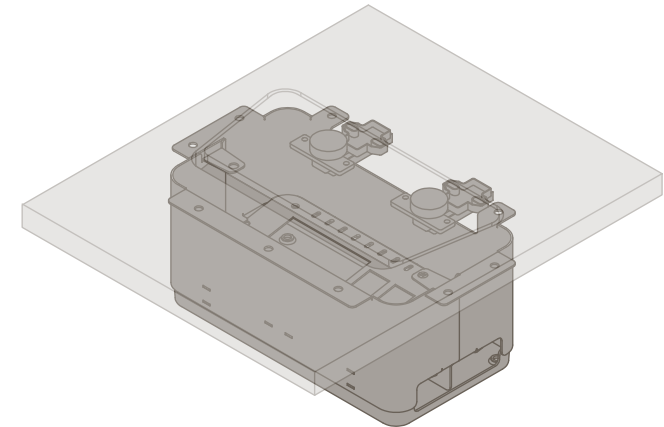
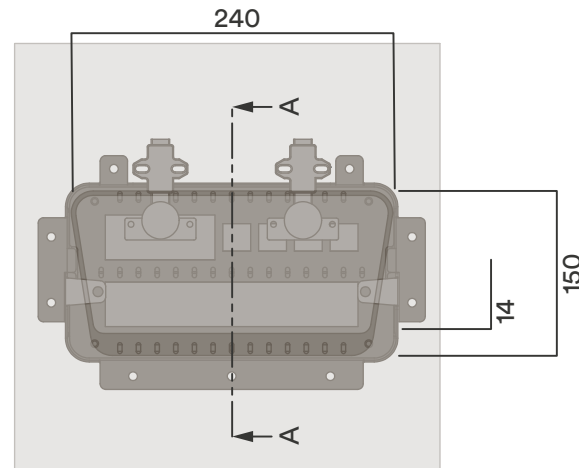
Chassis Finish

- a. Black Powdercoat

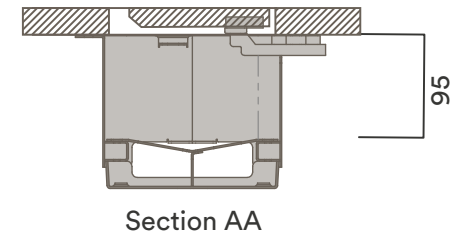
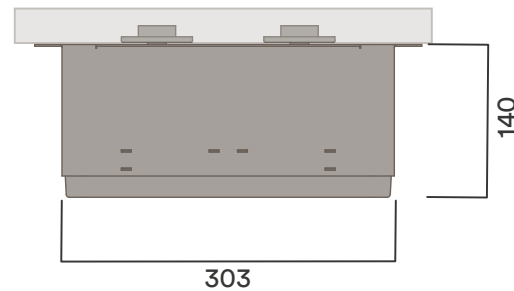
Data Mounting Plates

- a. Black Powdercoat

Worktop Cutout Specifications



Overall/Internal Dimensions



GPO's supplied	4
Data provision	4
Additional Mounting	50mm

Suits Meeting and Small Boardroom tables

Seamless Module C SE-1030

Materials Information

Lid Finish

- a. Veneer
- b. Melamine
- c. Laminate

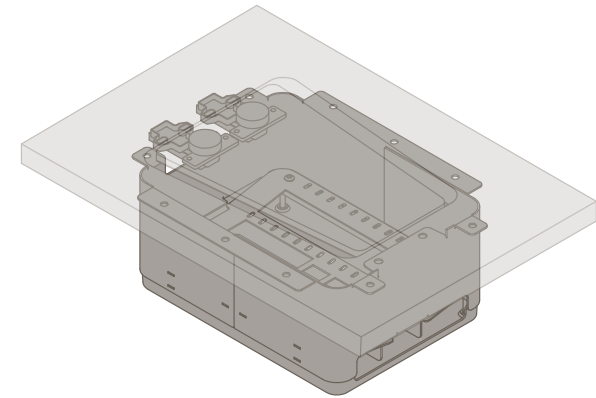
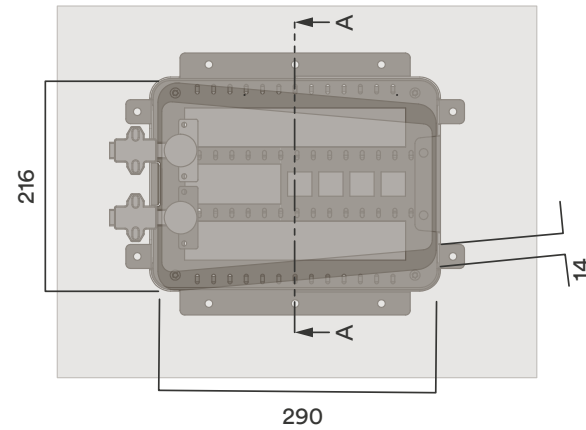
Chassis Finish

- a. Black Powdercoat

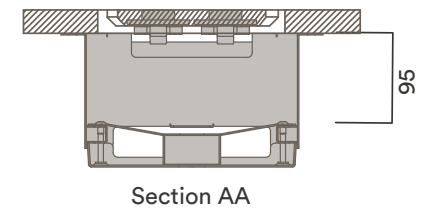
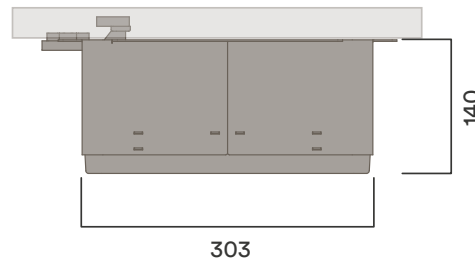
Data Mounting Plates

- a. Black Powdercoat

Worktop Cutout Specifications



Overall/Internal Dimensions



GPO's supplied	8
Data provision	4
Additional Mounting	100mm

Suits Larger Meeting and Boardroom tables

Seamless Module D SE-1040

Materials Information

Lid Finish

- a. Veneer
- b. Melamine
- c. Laminate

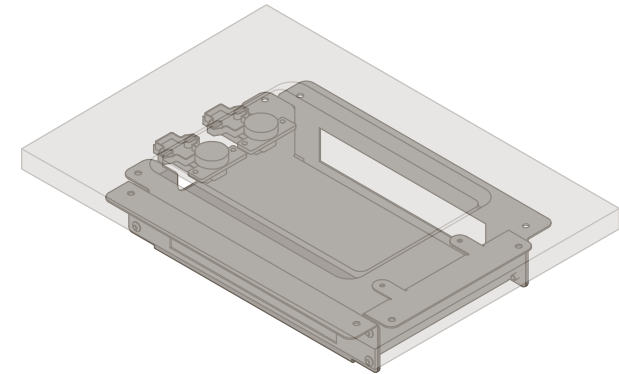
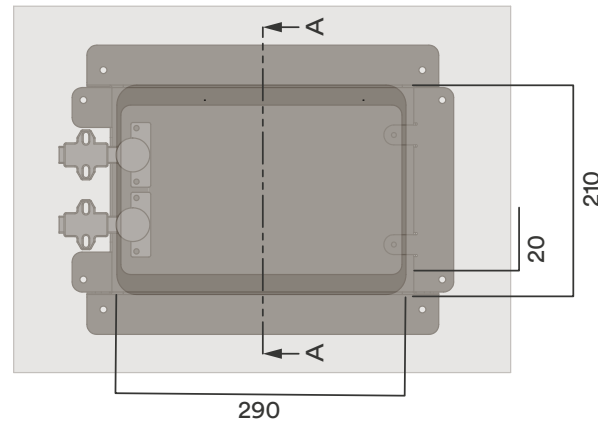
Chassis Finish

- a. Black Powdercoat

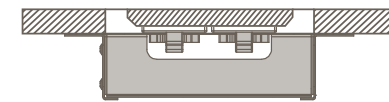
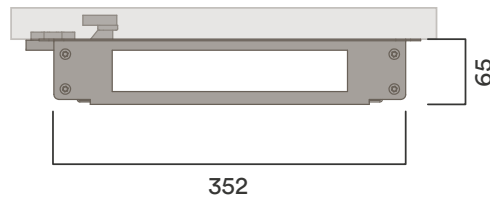
Data Mounting Plates

- a. Black Powdercoat

Worktop Cutout Specifications



Overall/Internal Dimensions



Section AA

GPO's supplied	4
Data provision	4

Suits Diva Tables and Small Boardroom tables

Power/Data Plates Cut out Specification

Materials Information

AUS

SE-1010

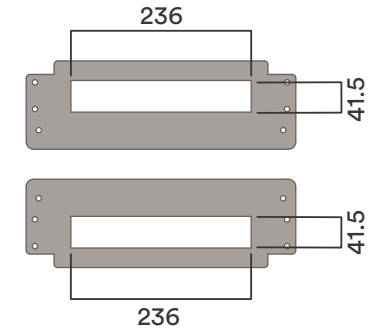
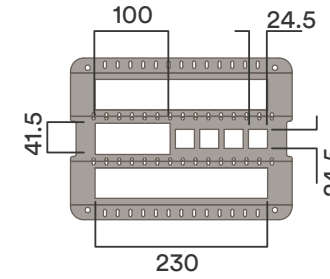
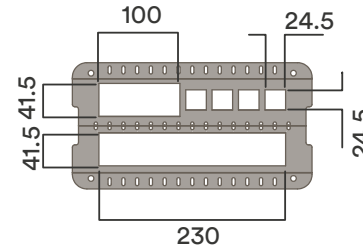
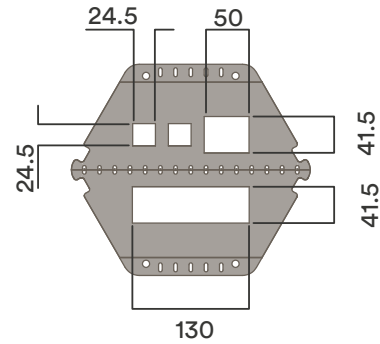
SE-1020

SE-1030

SE-1040

Data Mounting Plates

a. Black Powdercoat



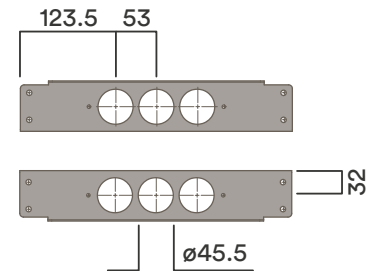
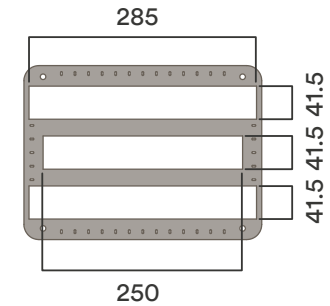
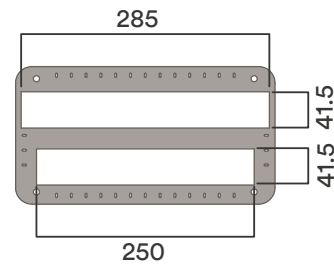
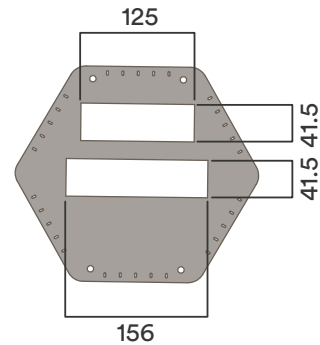
UK

SE-1010

SE-1020

SE-1030

SE-1040



Cut out specifications for compatible Power Data + Audio/Visual Accessories. See following page for compatible accessories.

Compatible Power, Data, + Audio/Visual Accessories

Materials Information

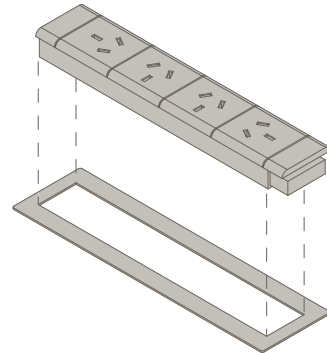
GPO Outlets

- a. Black
- b. White

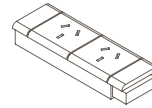
Tile

- a. Black
- b. White

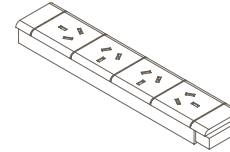
Compatible GPO Outlets



AUS

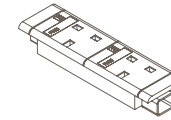


WSA-E-1001
AUS Double GPO unit

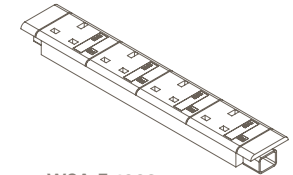


WSA-E-1000
AUS Quad GPO unit

UK

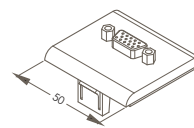
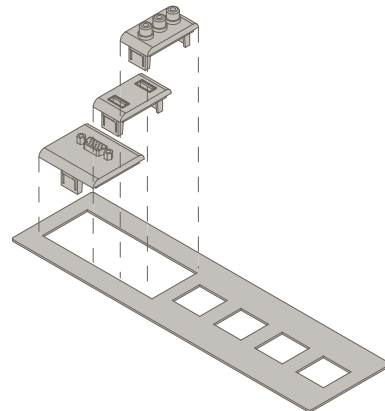


WSA-E-1007
UK/SGP Double GPO unit

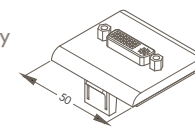


WSA-E-1008
UK/SGP Quad GPO unit

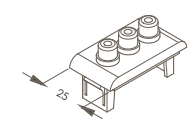
Data/Audio Visual



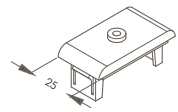
H-2000
VGA high density DB1 connector with rear screw termination



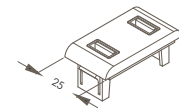
H-2001
DVI female barrel connector with rear screw termination



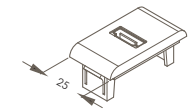
H-2002
RCA x 3 connector with solder tabs



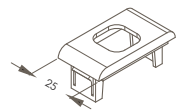
H-2003
3.5mm stereo jack connector with solder tabs



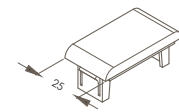
H-2004
USB x 2 port connector



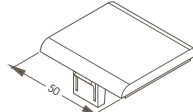
H-2005
HDMI connector



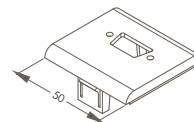
H-2006
Cut out for single data connector



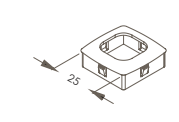
H-2007
25mm Blank



H-2008
50mm Blank



H-2010
Cut out for VGA high density DB15 connector



H-2030
Cut out for single data connector

Data + Audio/Visual Accessories are not supplied with Seamless Powerboxes

For specific Power and Data requirements please contact your local Thinking Works representative

Assembly SE-1010

Materials Information

SE-1010

Lid Finish

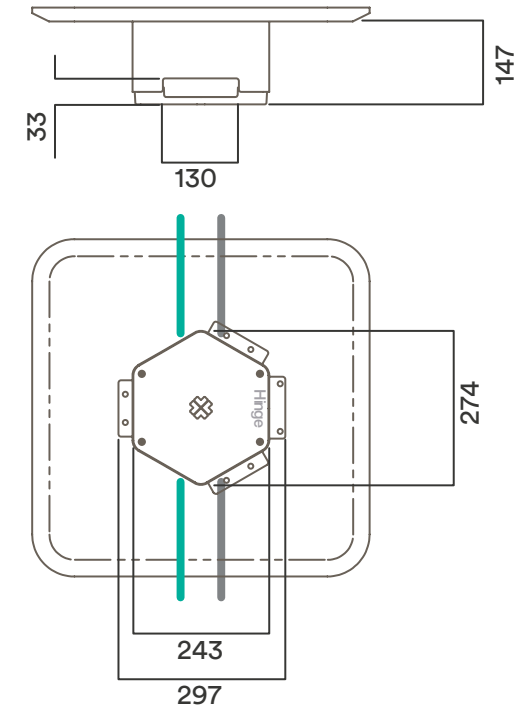
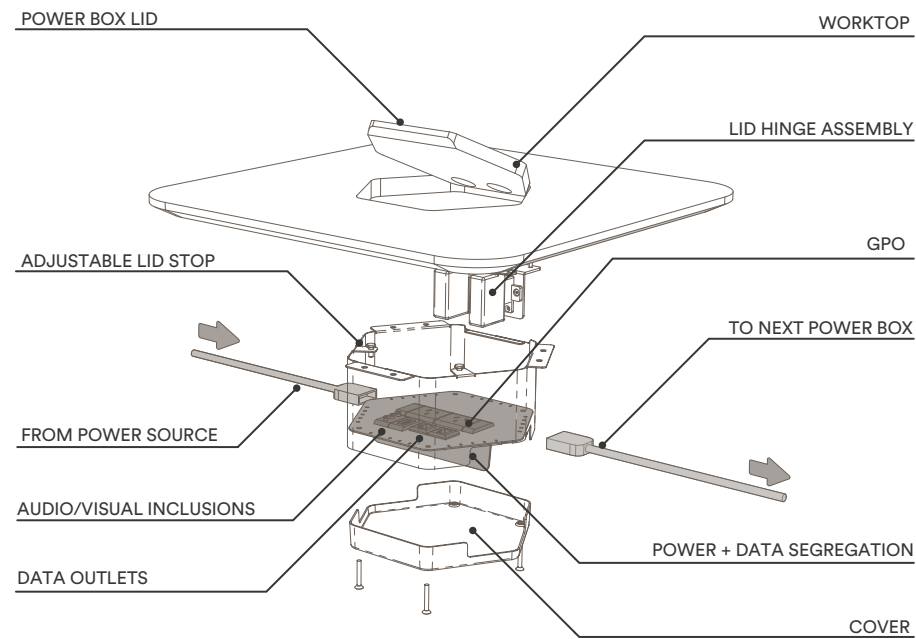
- a. Veneer
- b. Melamine
- c. Laminate

Chassis Finish

- a. Black Powdercoat

Data Mounting Plates

- a. Black Powdercoat



NOTE: GPO Supplied only.
Soft wiring cabling, data outlets and AV inclusions available separately, refer to Data/Power Specifications page.

Assembly SE-1020

Materials Information

Lid Finish

- a. Veneer
- b. Melamine
- c. Laminate

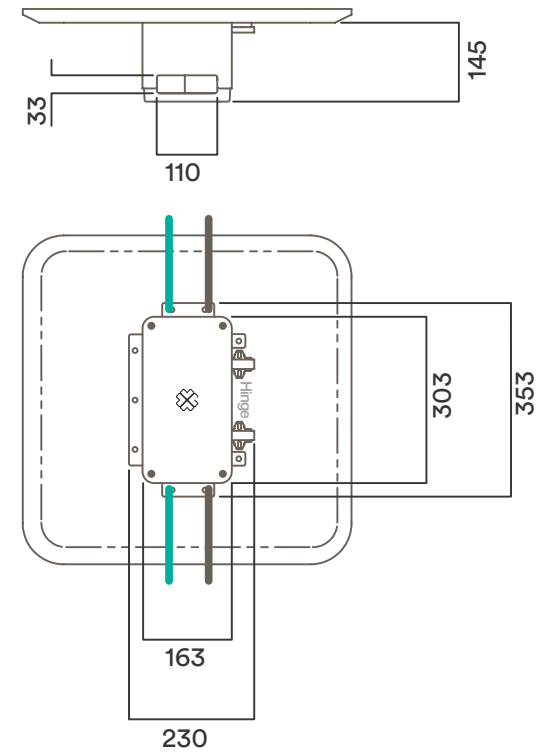
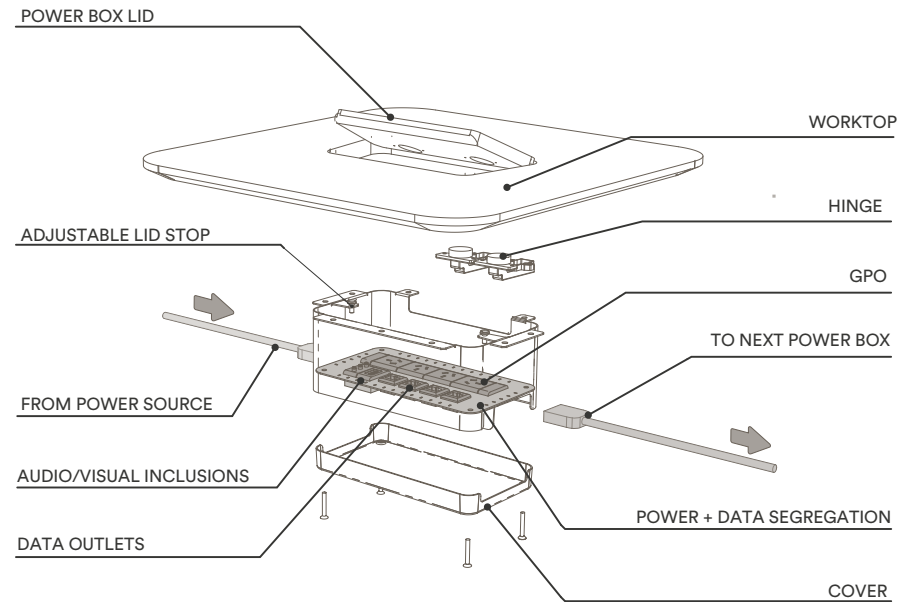
Chassis Finish

- a. Black Powdercoat

Data Mounting Plates

- a. Black Powdercoat

SE-1020



NOTE: GPO Supplied only.
Soft wiring cabling, data outlets and AV inclusions available separately, refer to Data/Power Specifications page.

Assembly SE-1030

Materials Information

SE-1030

Lid Finish

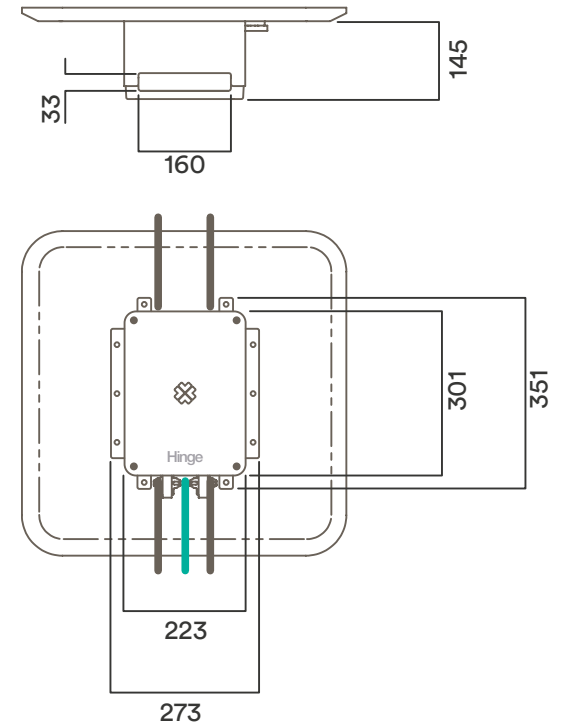
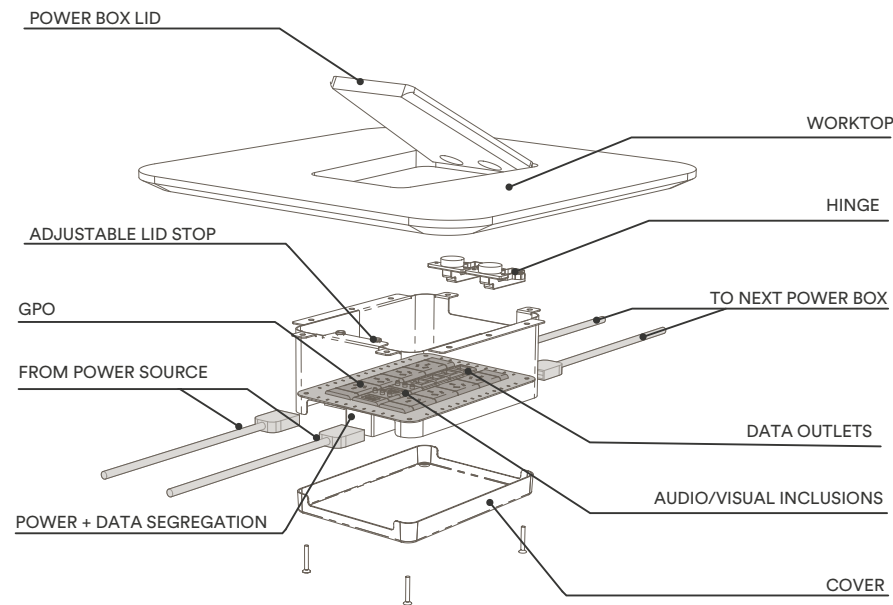
- a. Veneer
- b. Melamine
- c. Laminate

Chassis Finish

- a. Black Powdercoat

Data Mounting Plates

- a. Black Powdercoat



NOTE: GPO Supplied only.
Soft wiring cabling, data outlets and AV inclusions available seperately, refer to Data/Power Specifications page.

Assembly SE-1040

Materials Information

SE-1040

Lid Finish

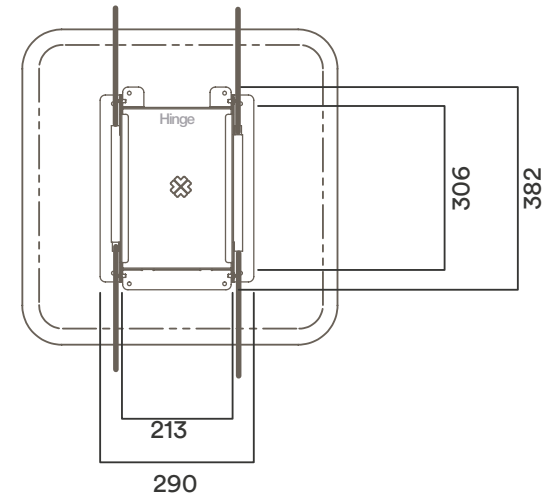
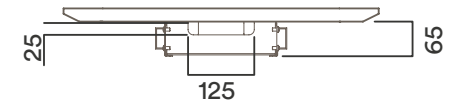
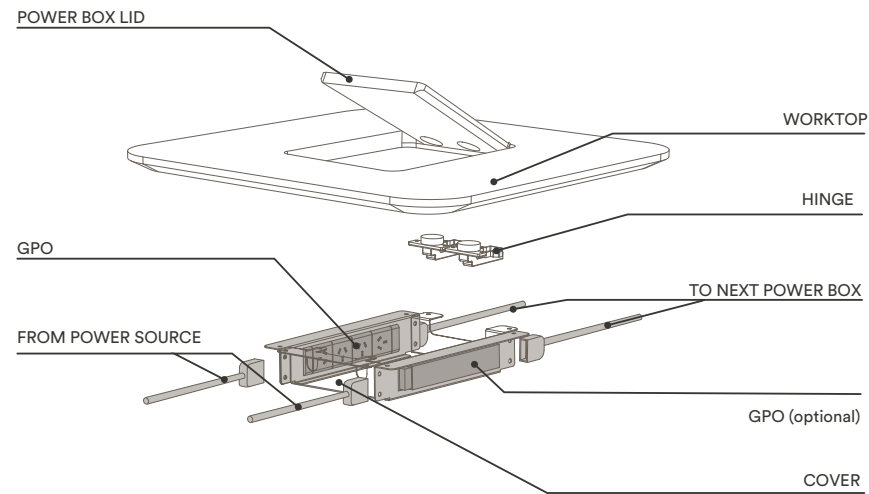
- a. Veneer
- b. Melamine
- c. Laminate

Chassis Finish

- a. Black Powdercoat

Data Mounting Plates

- a. Black Powdercoat



NOTE: GPO Supplied only.
Soft wiring cabling, data outlets and AV inclusions
available seperately, refer to Data/Power
Specifications page.



Specification

If you would like a sample set of any of our finishes, please call us on 61 (0)2 9726 7177 or e-mail at sales@thinkingw.com.

Due to our policy of continuous product development, specifications and finishes may change without prior notice.

Sustainability Policy

We realise the importance of responsible business practices and have in place numerous product and company sustainability certifications. We would encourage you to download our annual Sustainability Report from the Thinking Works website to get a full overview of our sustainability program.

Thinking Works
© Copyright 2019
All right reserved

Thinking Works
25 Helles Avenue
Moorebank
New South Wales 2170

www.thinkingw.com
61 (0)2 9726 7177
sales@thinkingw.com