



Moment

Specification Guide

Moment

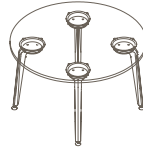
Designed to inspire a collaborative work environment.

Detail formed legs feature across the Moment product family to provide synergy throughout the office.

Moment

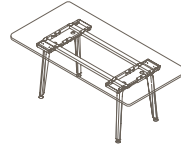
Tables

6-7



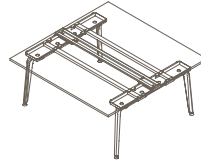
Multi-Leg Tables

7-10



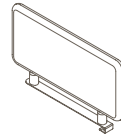
Workstation

12-14



Accessories

15-18



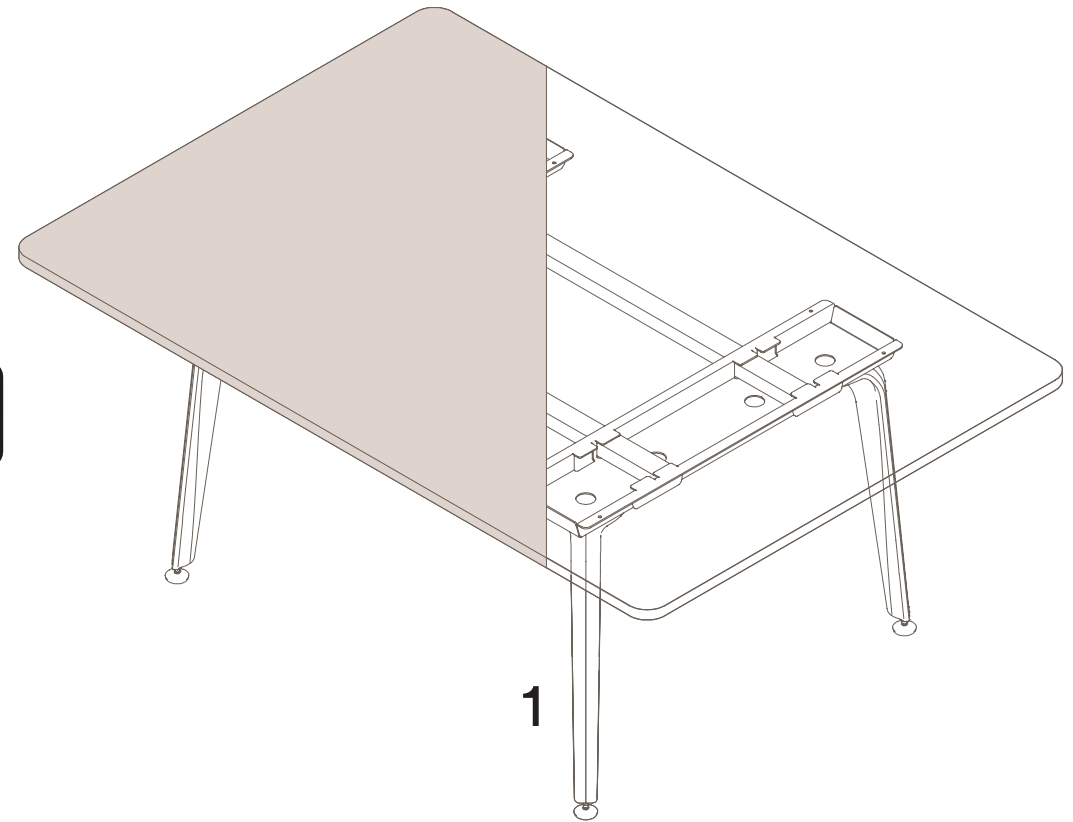
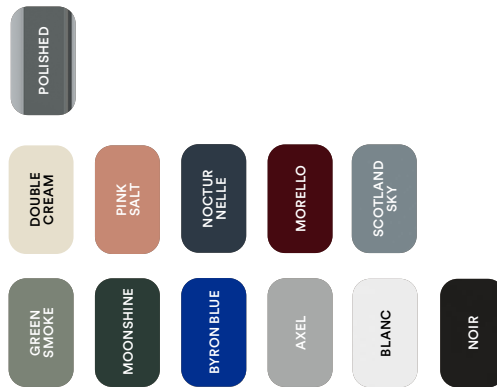
A technical line drawing of a table frame, showing the legs, crossbars, and a central support mechanism. The drawing is rendered in black lines on a white background. The word "Moment" is written in a large, bold, sans-serif font across the center of the image, overlapping the table's frame. The table has four legs, with the front-left leg being a single vertical post and the others being double-post structures. A central support mechanism is visible, consisting of a horizontal bar and a vertical post that connects to the underside of the table top. The table top is shown as a series of parallel lines representing its edges and internal structure.

Moment

Multi-Leg Finishes

1. Frame Finishes

Supported by steel framework, Moment legs are made from aluminium, polished as standard. Moment is also available in our current season powdercoat colours listed. Custom colours are also available.



Colours are representative only, please check with your Thinking Works consultant to view samples of any specific colour.

Tables

Round / Square / Triangle

Materials Information

Leg Finish

Aluminium Legs

- a. Polished (standard)
- b. Blanc
- c. Noir
- d. Double Cream
- e. Pink Salt
- f. Nocturnelle
- g. Morello
- h. Scotland Sky
- i. Green Smoke
- j. Moonshine
- k. Byron Blue
- l. Axel

Frame Finish

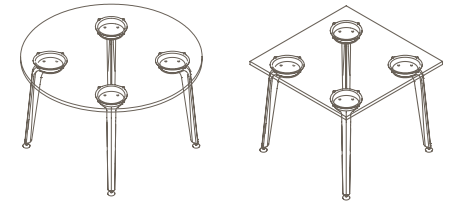
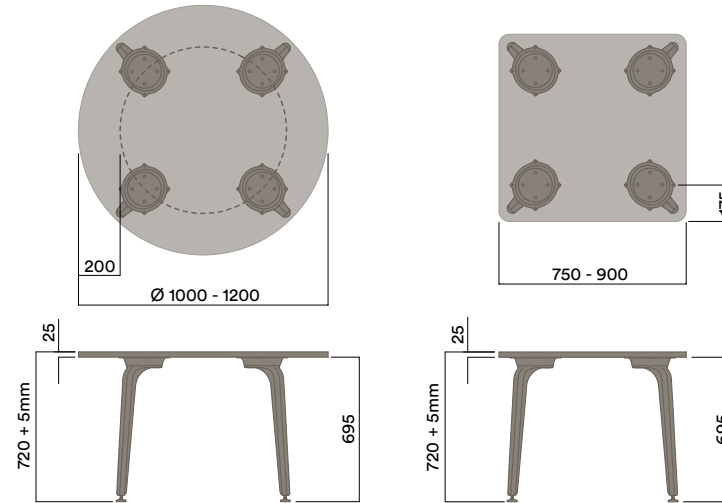
Steel Top Horn

- a. Black Powdercoat

Maximum inc. worktop 60kg
 Maximum Point Load 30kg
 Seats 2-4

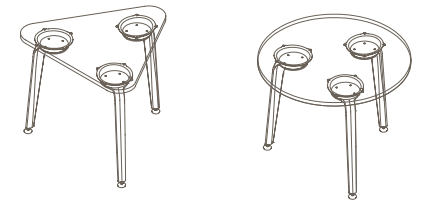
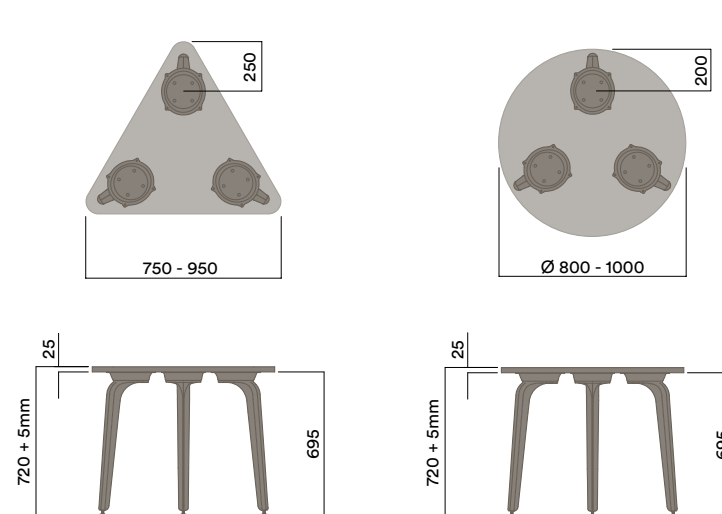
MMT-1015

4 Leg Freestanding



MMT-1060

3 Leg Freestanding



Tables

Round / Square

Materials Information

Leg Finish

Aluminium Legs

- a. Polished (standard)
- b. Blanc
- c. Noir
- d. Double Cream
- e. Pink Salt
- f. Nocturnelle
- g. Morello
- h. Scotland Sky
- i. Green Smoke
- j. Moonshine
- k. Byron Blue
- l. Axel

Frame Finish

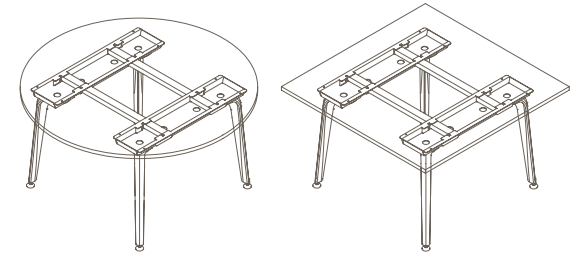
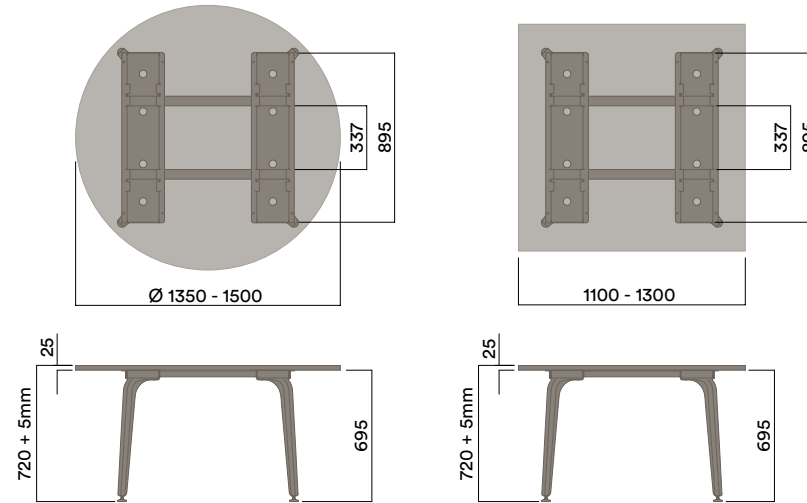
Steel Top Horn and Rails

- a. Black Powdercoat

Maximum inc. worktop 160kg
 Maximum Point Load 50kg
 Seats 4-8

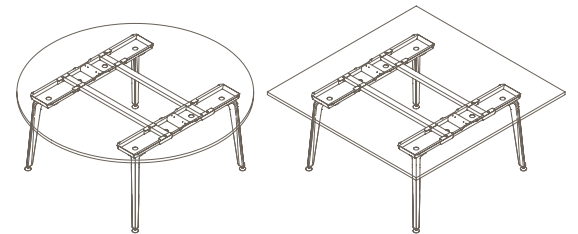
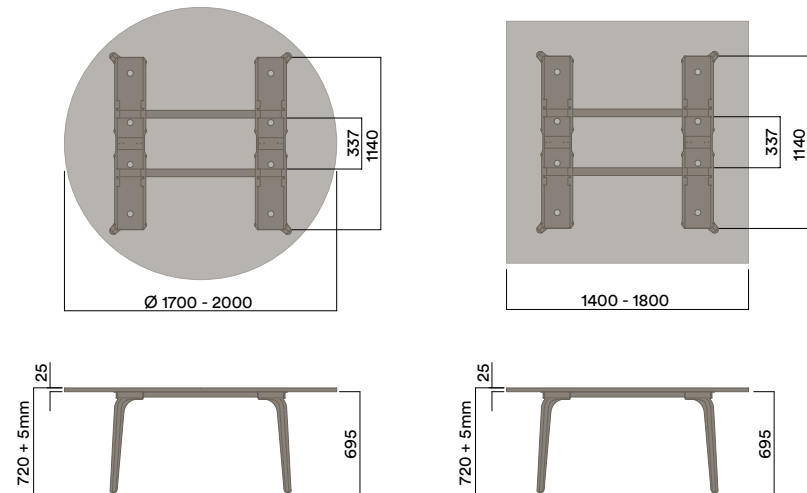
MMT-1070

720 (standard height)



MMT-1072

720 (standard height)



Multi-Leg Rectangle

Materials Information

Leg Finish

Aluminium Legs

- a. Polished (standard)
- b. Blanc
- c. Noir
- d. Double Cream
- e. Pink Salt
- f. Nocturnelle
- g. Morello
- h. Scotland Sky
- i. Green Smoke
- j. Moonshine
- k. Byron Blue
- l. Axel

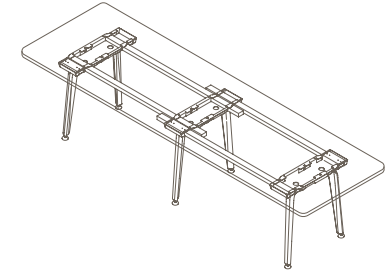
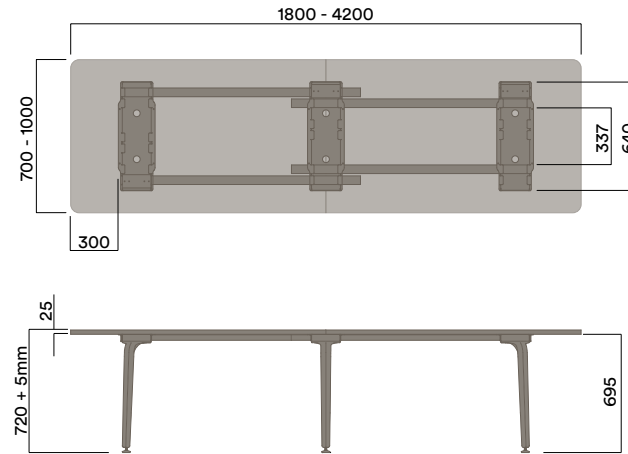
Frame Finish

Steel Top Horn and Rails

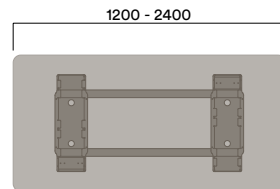
- a. Black Powdercoat

Maximum inc. worktop 160kg
 Maximum Point Load 50kg
 Seats 4 - 24

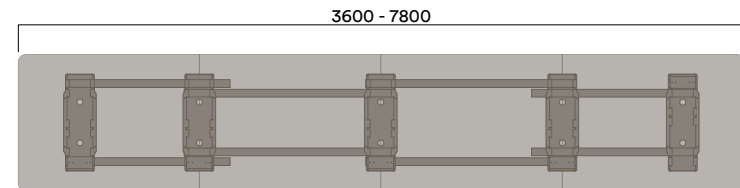
MMT-1051 6 Leg



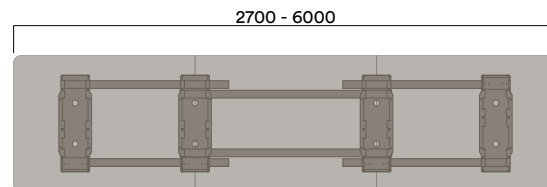
MMT-1050 4 Leg



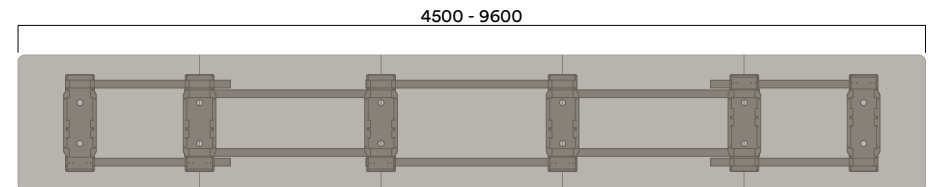
MMT-1053 10 Leg



MMT-1052 8 Leg



MMT-1054 12 Leg



Multi-Leg Rectangle XL

Materials Information

Leg Finish

Aluminium Legs

- a. Polished (standard)
- b. Blanc
- c. Noir
- d. Double Cream
- e. Pink Salt
- f. Nocturnelle
- g. Morello
- h. Scotland Sky
- i. Green Smoke
- j. Moonshine
- k. Byron Blue
- l. Axel

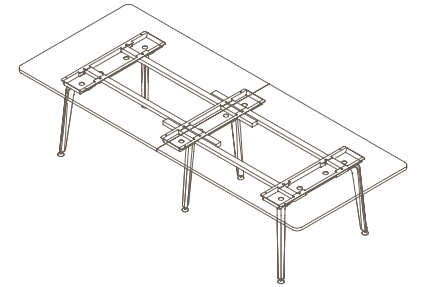
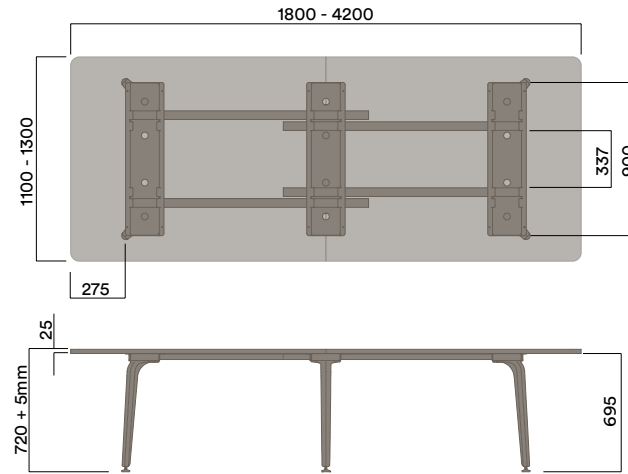
Frame Finish

Steel Top Horn and Rails

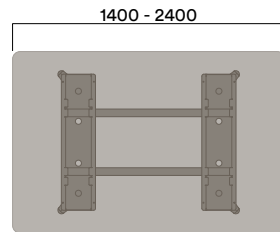
- a. Black Powdercoat

Maximum inc. worktop 160kg
 Maximum Point Load 50kg
 Seats 4 - 24

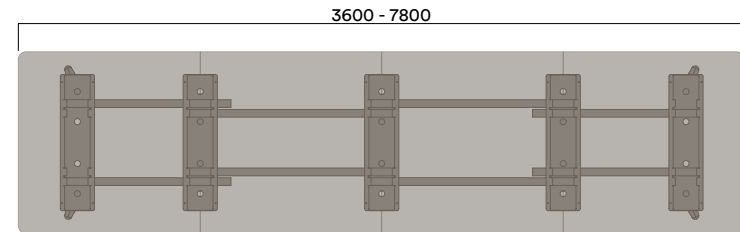
MMT-1051-XL 6 Leg



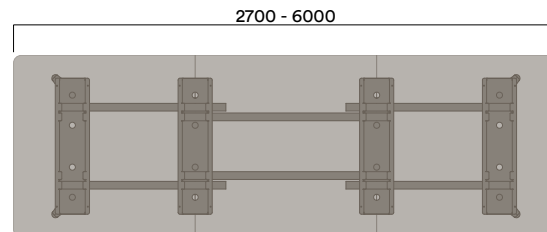
MMT-1050-XL 4 Leg



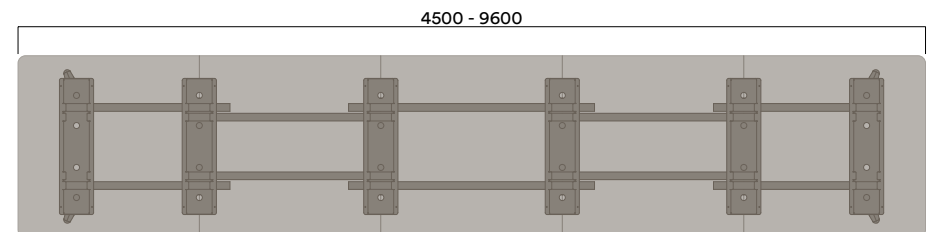
MMT-1053-XL 10 Leg



MMT-1052-XL 8 Leg



MMT-1054-XL 12 Leg



Multi-Leg Rectangle XXL

Materials Information

Leg Finish

Aluminium Legs

- a. Polished (standard)
- b. Blanc
- c. Noir
- d. Double Cream
- e. Pink Salt
- f. Nocturnelle
- g. Morello
- h. Scotland Sky
- i. Green Smoke
- j. Moonshine
- k. Byron Blue
- l. Axel

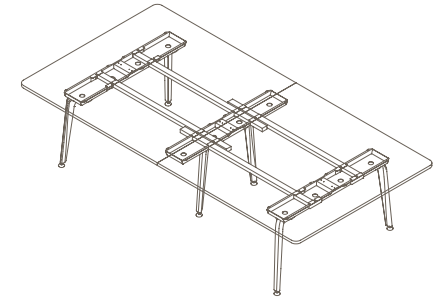
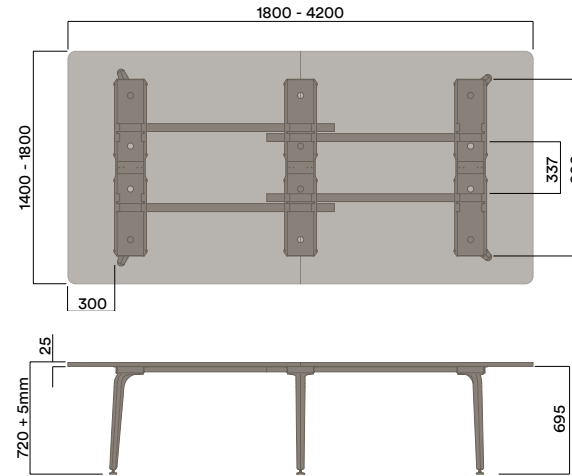
Frame Finish

Steel Top Horn and Rails

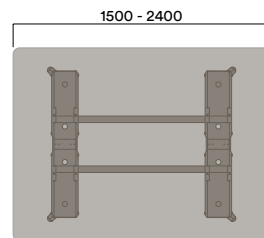
- a. Black Powdercoat

Maximum inc. worktop 160kg
 Maximum Point Load 50kg
 Seats 4 - 24

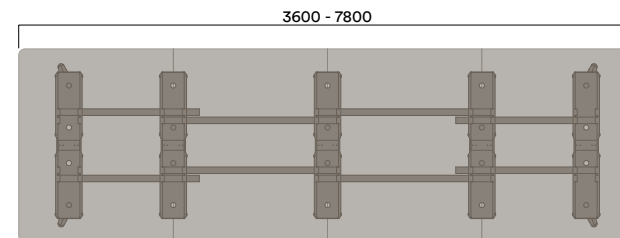
MMT-1051-XXL 6 Leg



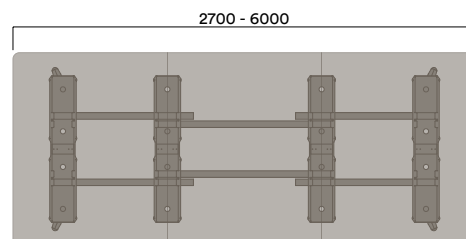
MMT-1050-XXL 4 Leg



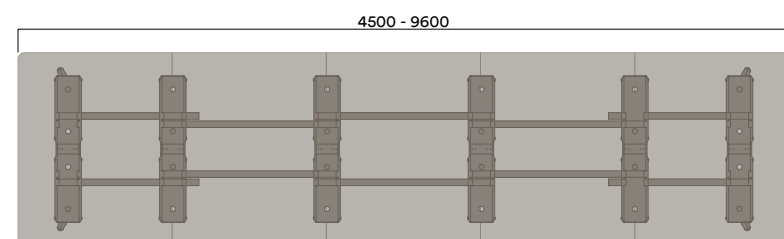
MMT-1053-XXL 10 Leg



MMT-1052-XXL 8 Leg



MMT-1054-XXL 12 Leg



Workstation Finishes

1. Frame Finishes

Supported by steel framework, Moment legs are made from aluminium, polished as standard. Moment is also available in our current season powdercoat colours listed. Custom colours are also available. Central Accessory Rail is available in white as standard.



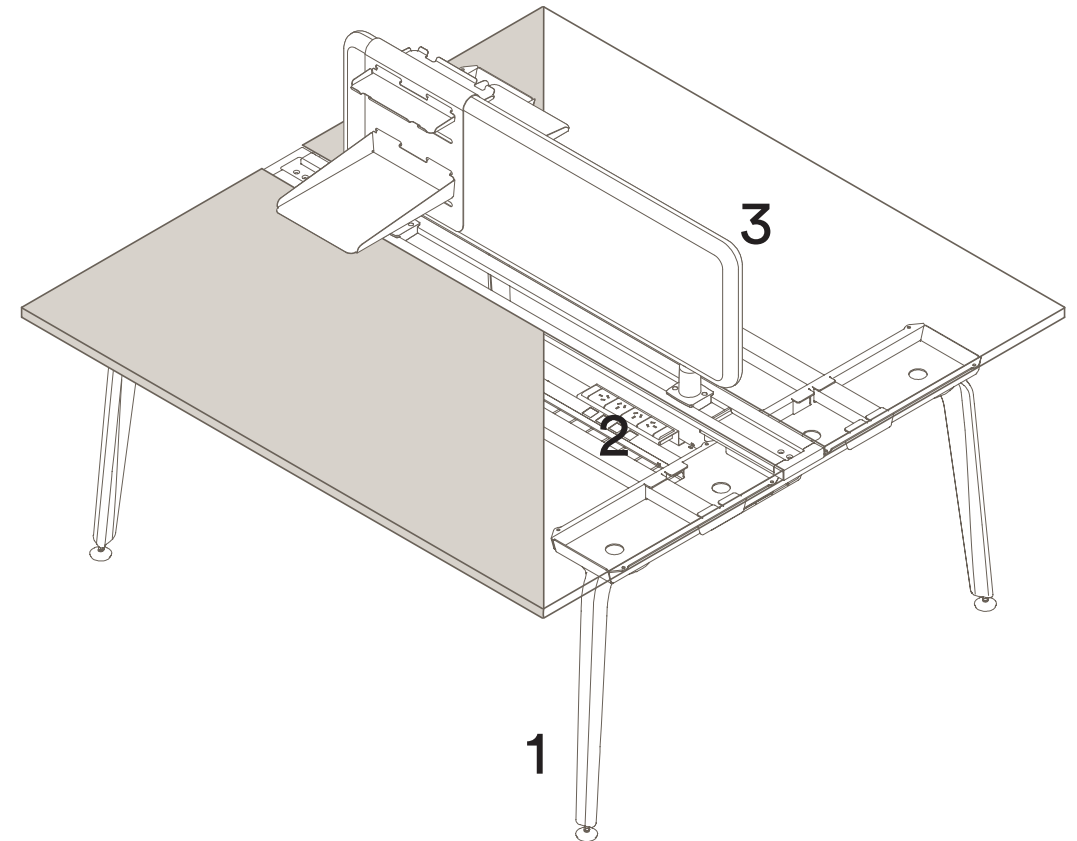
2. Cable Basket

Our wire cable management basket comes standard as Black powdercoat.



3. Workstation Screens

Our Workstation Screens can be Fabric upholstered to suit customer needs. Screens are also available in Acoustic PET.



Colours are representative only, please check with your Thinking Works consultant to view samples of any specific colour.

Workstation Double Sided

Materials Information

Leg Finish

Aluminium Legs

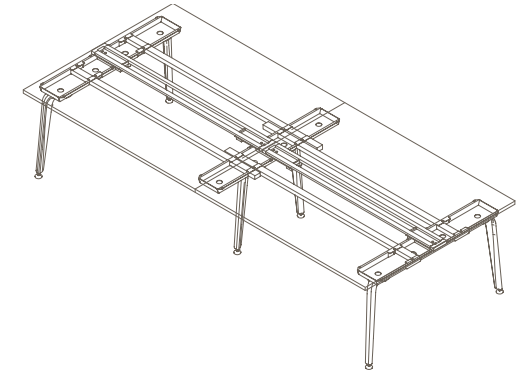
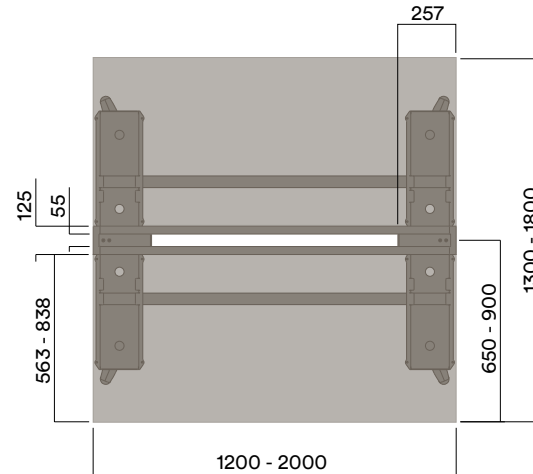
- a. Polished (standard)
- b. Blanc
- c. Noir
- d. Double Cream
- e. Pink Salt
- f. Nocturnelle
- g. Morello
- h. Scotland Sky
- i. Green Smoke
- j. Moonshine
- k. Byron Blue
- l. Axel

Frame Finish

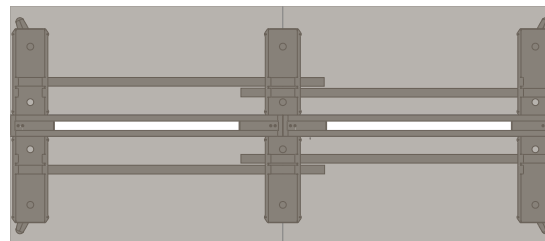
Steel Top Horn and Rails

- a. Black Powdercoat

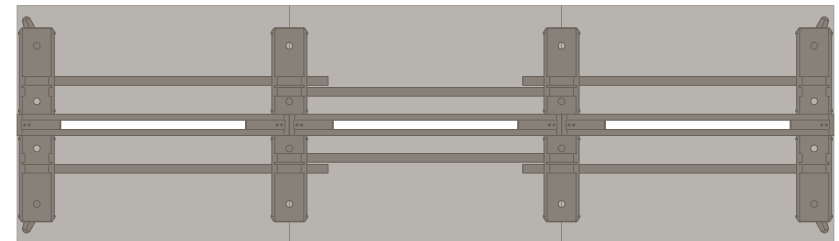
MMW-2100 2pax



MMW-2200 4pax



MMW-2300 6pax



*Inset Legs standard for back-to-back workstation configurations

Maximum inc. worktop	80kg
Maximum Point Load	50kg
Seats	2 - 8

Workstation Single Sided

Materials Information

Leg Finish

Aluminium Legs

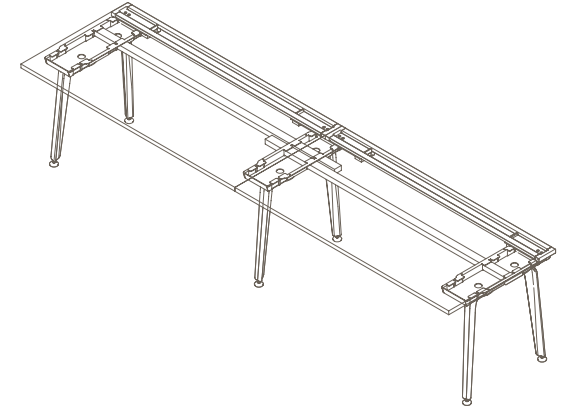
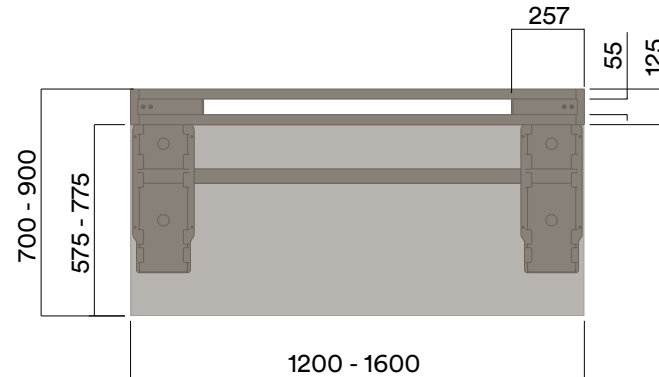
- a. Polished (standard)
- b. Blanc
- c. Noir
- d. Double Cream
- e. Pink Salt
- f. Nocturnelle
- g. Morello
- h. Scotland Sky
- i. Green Smoke
- j. Moonshine
- k. Byron Blue
- l. Axel

Frame Finish

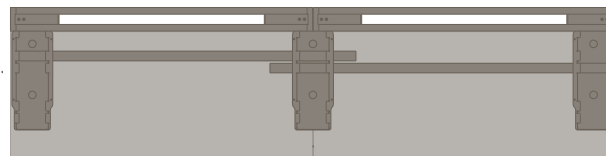
Steel Top Horn and Rails

- a. Black Powdercoat

MMW-1100 1pax



MMW-1200 2pax



MMW-1300 3pax



Maximum inc. worktop 80kg
 Maximum Point Load 50kg
 Seats 1-4

Workstation Return

Materials Information

Leg Finish

Aluminium Legs

- a. Polished (standard)
- b. Blanc
- c. Noir
- d. Double Cream
- e. Pink Salt
- f. Nocturnelle
- g. Morello
- h. Scotland Sky
- i. Green Smoke
- j. Moonshine
- k. Byron Blue
- l. Axel

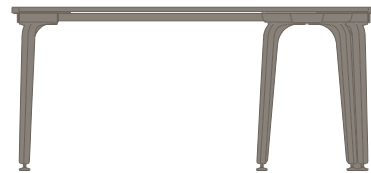
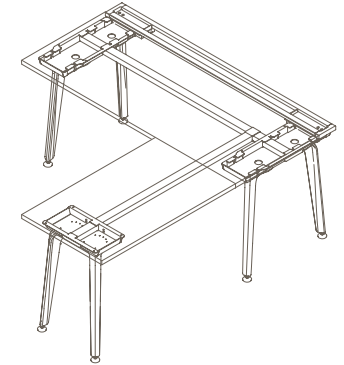
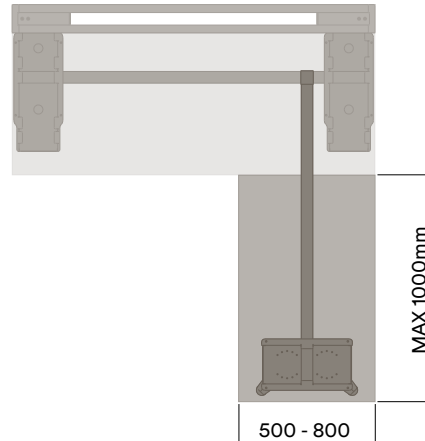
Frame Finish

Steel Top Horn and Rails

- a. Black Powdercoat

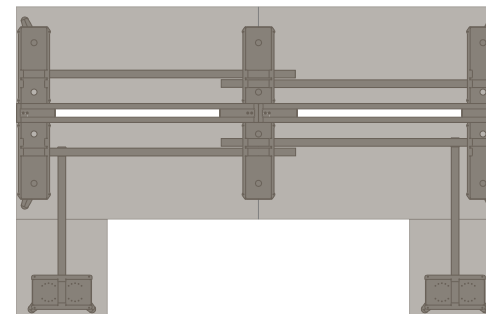
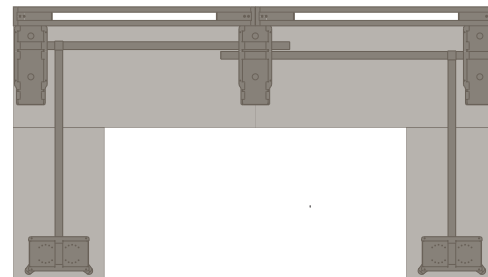
MMW-R-1010

Return Kit



Single Sided Return

Double Sided Return



Maximum inc. worktop 80kg
Maximum Point Load 50kg
Seats 1-4

Workstation Accessories

Materials Information

Cable Basket

Wire Cable Basket

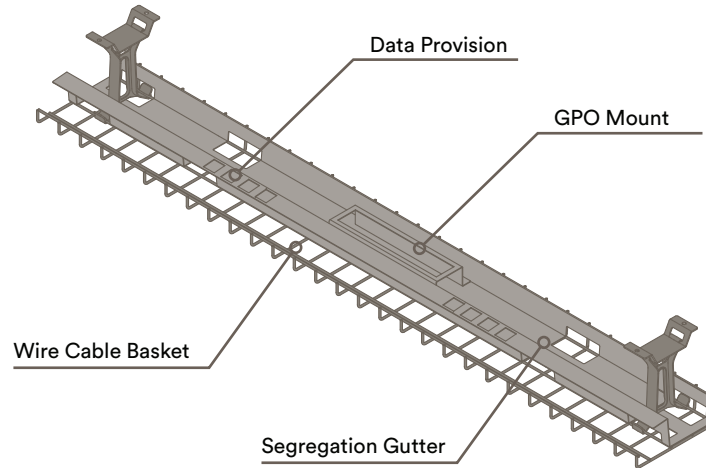
a. Black Powdercoat

Steel Segregation Gutter/Worktop Brackets

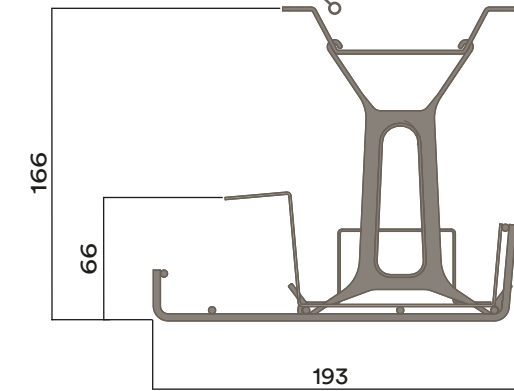
a. Black Powdercoat

WSA-1100 Series

Single Sided Cable Basket

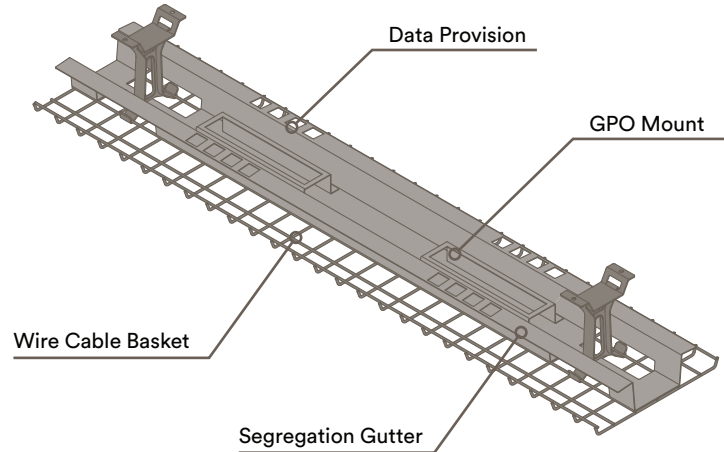


Extrusion-mount Hook

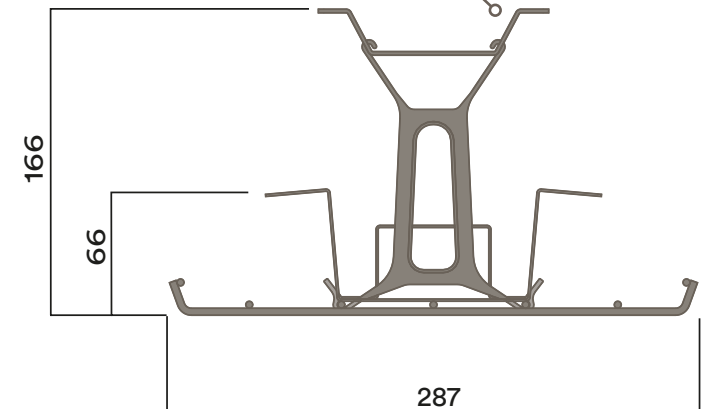


WSA-2100 Series

Double Sided Cable Basket



Extrusion-mount Hook



Workstation Accessories

Materials Information

Quiet Screen

Upholstered Screen Panel

a. Customer Supplied Fabric

Screen Mounts

Powdercoat Aluminium Screen Mounts

- a. White
- b. Other Colour

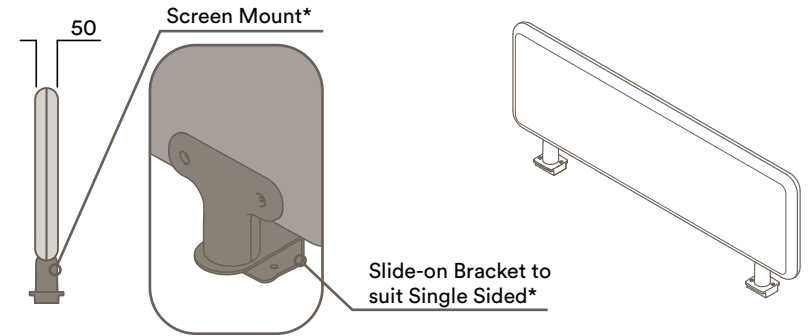
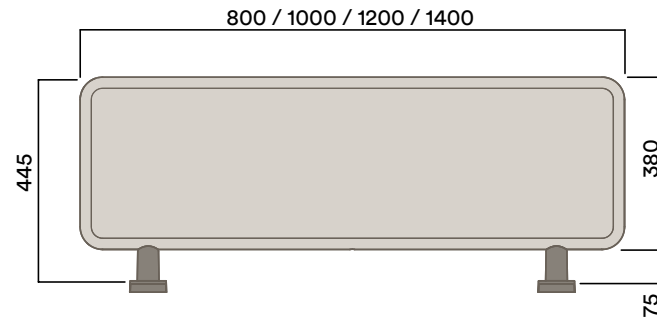
Screen Accessories

Powdercoat sheet metal Accessories

- a. White
- b. Other Colour

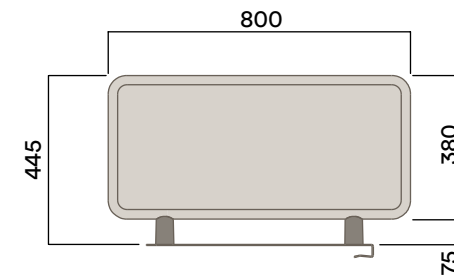
Quiet Screen

Upholstered

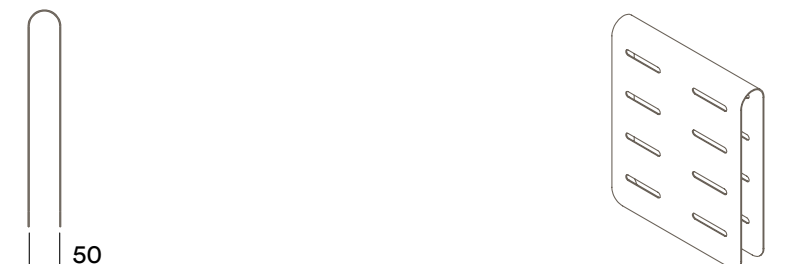
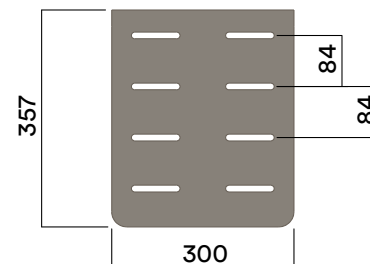


Interpersonal Screen

Upholstered



Accessory Saddle



*Screen Mounting Method

To suit single sided without Accessory Rail

Workstation Accessories

Materials Information

Screen Accessories

Powdercoat sheet metal Accessories

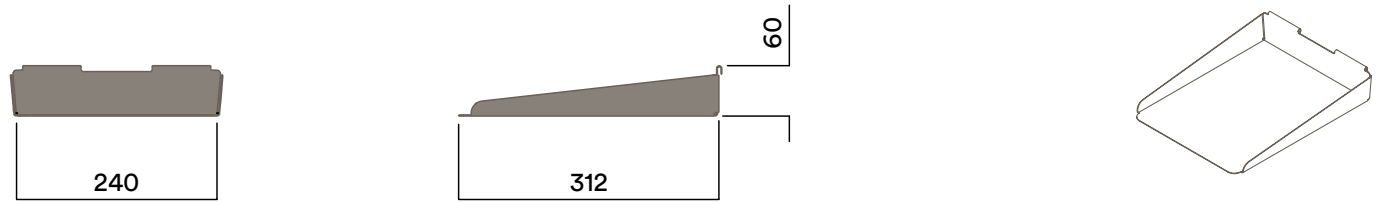
- a. White
- b. Other Colour

Modesty Panel

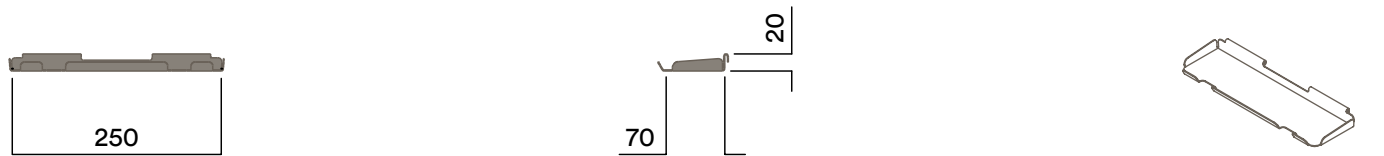
Powdercoat sheet metal

- a. White
- b. Other Colour

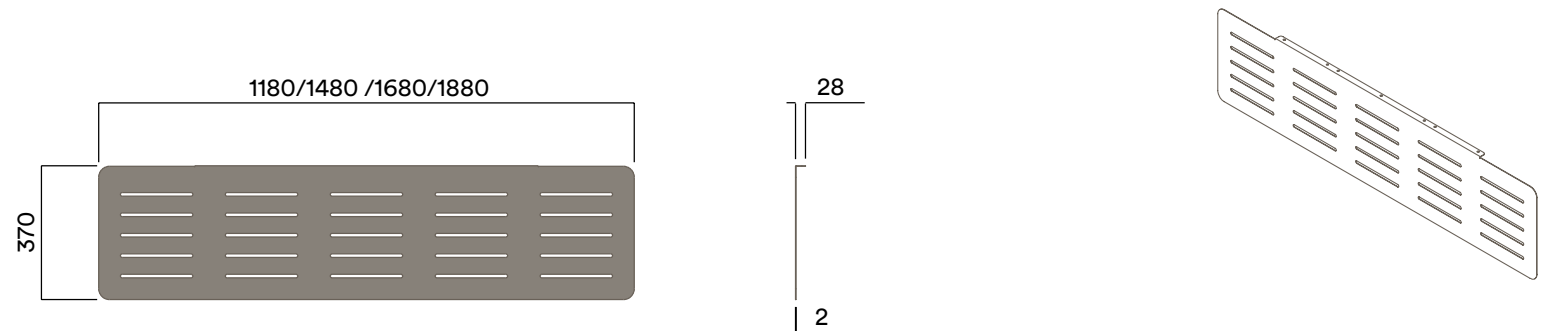
Paper Tray



Personal Tray



Modesty Panel



Workstation Accessories

Materials Information

Acoustic Screen PET Screen Panel

- a. Light Grey
- b. Dark Grey

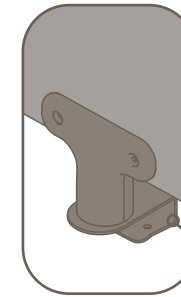
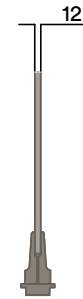
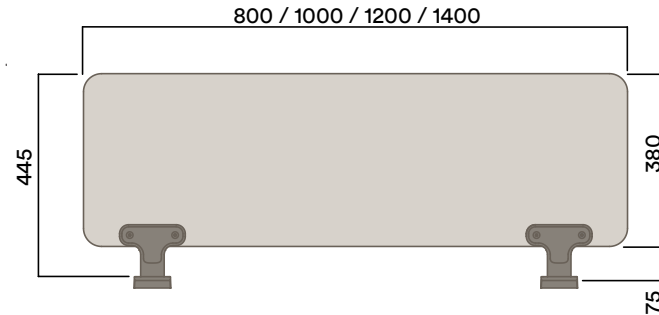
Screen Mounts

Powdercoat Aluminium Screen Mounts

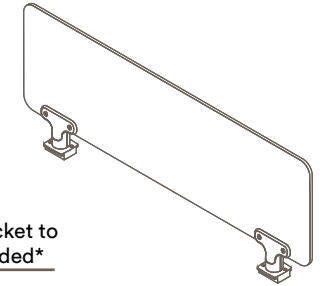
- a. White
- b. Other Colour

Acoustic Screen

PET Panel

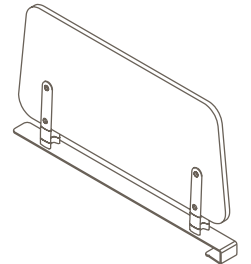
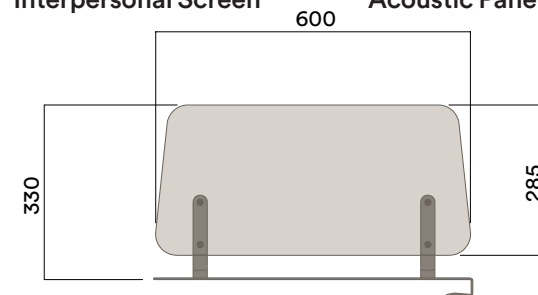


Slide-on Bracket to suit Single Sided*



Interpersonal Screen

Acoustic Panel



*Screen Mounting Method

To suit single sided without Accessory Rail



Specification

If you would like a sample set of any of our finishes, please call us on 61 (0)2 9726 7177 or e-mail at sales@thinkingw.com.

Due to our policy of continuous product development, specifications and finishes may change without prior notice.

Sustainability Policy

We realise the importance of responsible business practices and have in place numerous product and company sustainability certifications. We would encourage you to download our annual Sustainability Report from the Thinking Works website to get a full overview of our sustainability program.

Thinking Works
© Copyright 2020
All right reserved

Thinking Works
15-23 Helles Avenue
Moorebank
New South Wales 2170

www.thinkingw.com
61 (0)2 9726 7177
sales@thinkingw.com