



Touch

Specification Guide

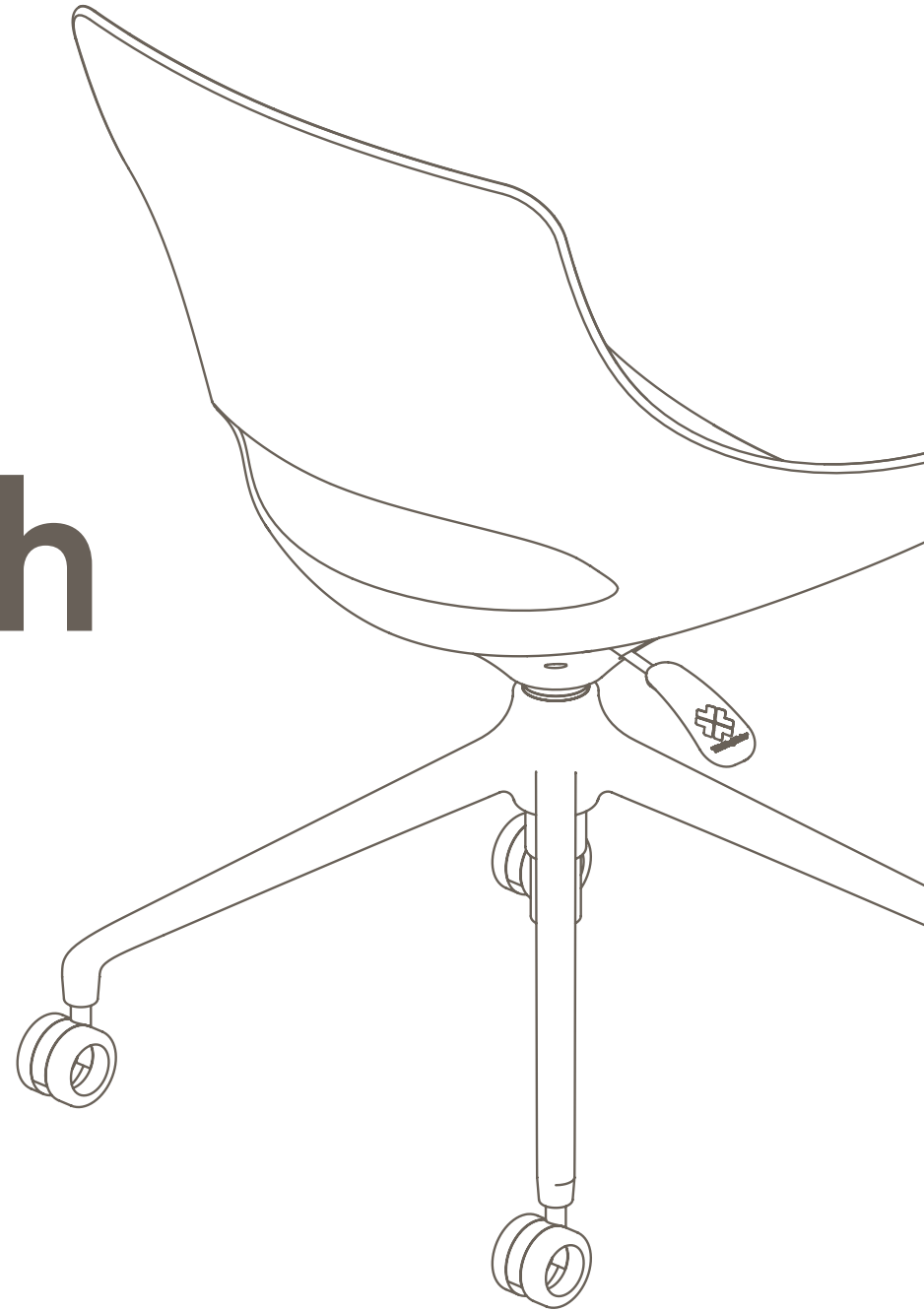
Touch

Evolution of the
work chair.

Touch is inspired by
lightness, fluidity and
hidden complexity.
Designed for use in short
bursts of activity, it is an
evolution of the original
work chair concept.



Touch



Touch Finishes

1. Chair Shell

Injection moulded Touch Chair Shell is available in white.



2. 4 Star Base

Polished
Aluminium Foot
Other Colour



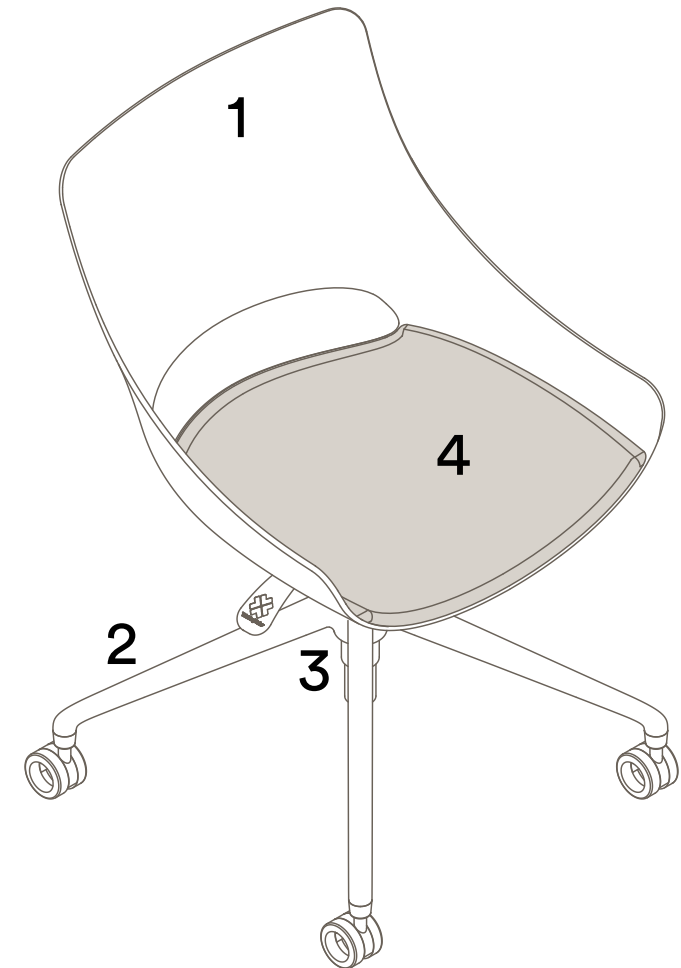
3. Gas Strut

Chrome and Black Gas Strut available.



4. Seat Pad

Upholstered seat pads are an optional addition to the Touch Chair, bringing a softness and warmth to the design. Two fabric types are available.



Colours are representative only, please check with your Thinking Works consultant to view samples of any specific colour.

Touch Features

Materials Information

Chair Shell

White injection moulded Chair Shell

4-Star Base

Polished Aluminium Foot
Powdercoat Aluminium Foot

- a. Zanilla
- b. Pink Salt
- c. Nocturenelle
- d. Minted
- e. Scotland Sky
- f. Green Smoke
- g. Folie
- h. Axel
- i. Blanc
- j. Noir

Gas Strut

Chrome Gas Strut
Black Gas Strut

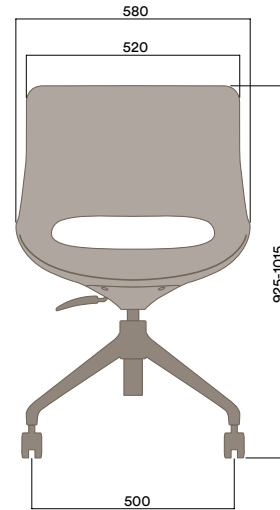
Seat Pad

Upholstered Seat Pad

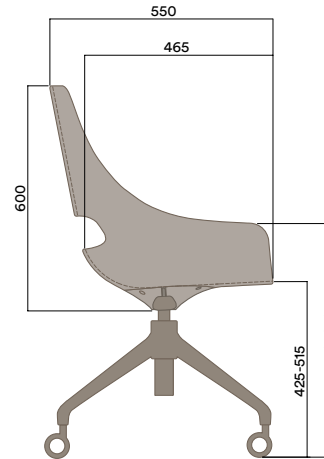
Seat Height Range
Weight Capacity

425mm to 515mm
120kg

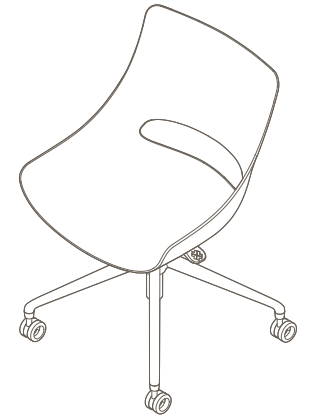
Gas Lift - Castors



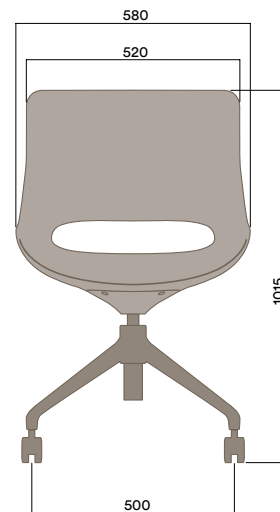
TC-1000 - Bare Shell



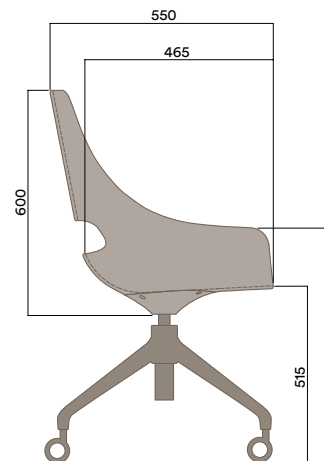
TC-2000 Series - Seat Pad



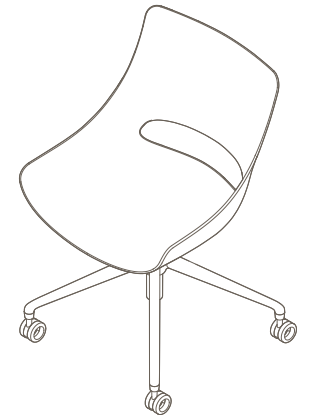
Fixed - Castors



TC-1100 - Bare Shell



TC-2100 Series - Seat Pad





Specification

If you would like a sample set of any of our finishes, please call us on 61 (0)2 9726 7177 or e-mail at sales@thinkingw.com.

Due to our policy of continuous product development, specifications and finishes may change without prior notice.

Sustainability Policy

We realise the importance of responsible business practices and have in place numerous product and company sustainability certifications. We would encourage you to download our annual Sustainability Report from the Thinking Works website to get a full overview of our sustainability program.

Thinking Works
© Copyright 2018
All right reserved

Thinking Works
25 Helles Avenue
Moorebank
New South Wales 2170

www.thinkingw.com
61 (0)2 9726 7177
sales@thinkingw.com