

CIRCOLO

Patryk Koca Designed for Modularity

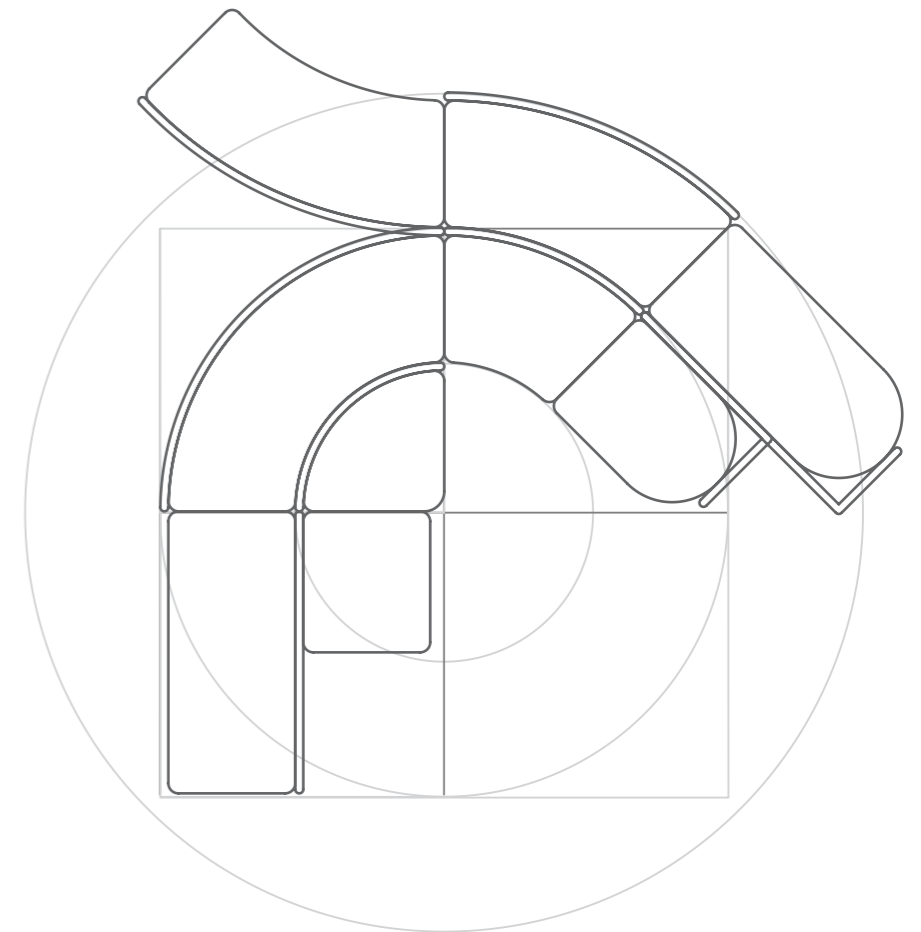


The Designer

Patryk Koca is a Sydney based product designer, who likes to converge his experiences into practical solutions through problem solving, craftsmanship, technology, and a strong focus on sustainability.

Patryk has a strong reputation within the furniture industry. He began collaborating with Thinking Works in 2022 to develop a soft seating and acoustic range with the aim of pushing the boundaries of clever design for the workplace and challenging the limits of Australian manufacturing. In keeping with Thinking Works ethos, this range was driven by elements of surprise, practical functionality, and a focus on workplace well-being.

The result is CIRCOLO - a broad collection of soft modular seating with exquisite finishes and infinite possible configurations, which makes it adaptable to the evolving needs of the modern work environment.





Modular Seating
Ottoman 2 modules
Loose 3 modules, multiple screens
Modular 11 modules, multiple screens
Booth 2 options

Engineering By Thinking Works

The Makers

At Thinking Works, we're a passionate team of expert craftsmen, dedicated to creating exceptional workplace furniture. Our high-quality, serial-produced, hand-crafted pieces are designed with precision and crafted to exacting standards, ensuring every product meets the highest quality standard.

Introducing a truly distinctive product like CIRCOLO to the market, without compromising on design, is no small feat. Our team thrives on these challenges, driven by our skilled product specialists who bring expertise and dedication to every project. Inspired by the principles of the BAUHAUS, we follow a collaborative approach, blending the talents of "masters of form" and "masters of works".

Our award-winning in-house design team works hand-in-hand with master craftsmen to develop and produce our remarkable pieces of furniture. From constructing the timber frames, foaming, and completing the upholstery, through to applying all finishes in our paint shop, every step of the production process is meticulously handled in-house, ensuring the exceptional quality that defines Thinking Works.





Loose
Soft Seating

CIRCOLO

Meet the Range

CIRCOLO is a smart and infinitely modular soft seating collection that harnesses the need for both agility and acoustic comfort.

Designed through the exploration of logical geometry, the collection is a contrast between curvature and the straight angular with a twist of playful softness.

The upholstery design allows opportunities for the specifier to create unique colour combinations for each project.

Pieces including ottomans, loose and modular seating and booths, complement each other to create a setting suitable for multiple use in commercial environments.

01 **Ottoman**
To complement other seating pieces. Page 12-15

02 **Loose Seating**
For lobbies, casual meeting spaces. Page 16-25

03 **Modular Seating**
Create zones for interaction. Page 26-41

04 **Booth**
For quiet discussion and focus areas. Page 42-45

Australian Made
Designed and manufactured in Australia

Warranty
7 year structural warranty.



CIRCOLO Ottoman Range

- 01 **CIR-O-1010**
Circolo Ottoman Single Seat
640W x 640D x 450mmH
- 02 **CIR-O-2010**
Circolo Ottoman Double Seat
1340W x 640D x 450mmH

Warranty
7 years structural warranty

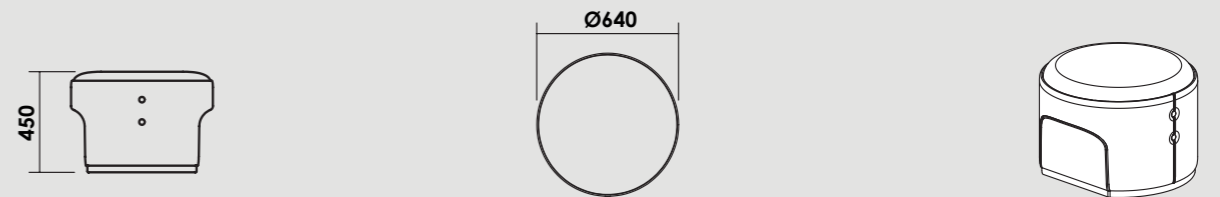
The CIRCOLO Ottoman range is designed to complement the Loose and Modular CIRCOLO ranges.

Their round-upholstered design enhance a variety of agile spaces, within the workplace, hospitality or educational environments.

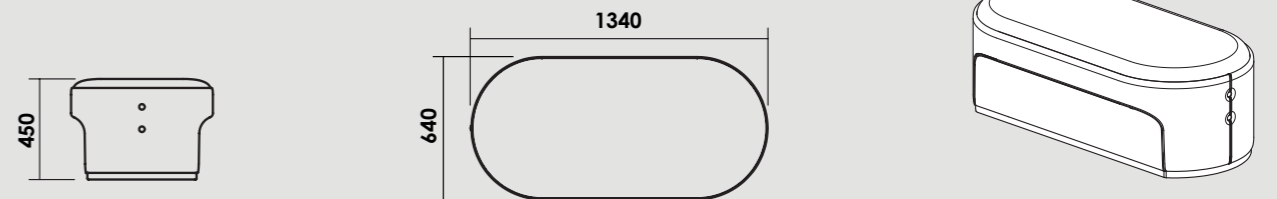
Available in two sizes, CIRCOLO Ottomans are constructed with an engineered timber frame and layered multi-density foam, ensuring durability and lasting comfort for years to come.



CIR-O-1010
CIRCOLO OTTOMAN - SINGLE SEAT



CIR-O-2010
CIRCOLO OTTOMAN - DOUBLE SEAT





CIR-O-2010 & Rosie Laptop Table
Combine modern comfort with sleek versatility, perfect for collaborative spaces or casual lounges, offering a stylish seating and workspace solution in any setting.

CIRCOLO

Loose Range

The CIRCOLO Loose range comprises of three sizes that can act as stand-alone settings in collaborative meeting and casual spaces to sit, connect and engage.

Or it can be used in addition to the CIRCOLO Modular range offering a sanctuary within the busy work space.

The ability to add a screen of two heights and two angles, designed to wrap around and hug the seat, gives the user a sense of privacy and ultimate comfort.

01 **CIR-L-1010**
Loose Single Seat
640W x 640D x 760mmH

02 **CIR-L-2010**
Loose Double Seat
1340W x 640D x
760mmH

03 **CIR-L-3020**
Loose Triple Seat Curve
1912W x 770D x 760mmH

Warranty
7 year structural
warranty.



CIRCOLO Loose Range

Available with or without privacy screens, the CIRCOLO Loose Range adapts to both open and quite spaces for a flexible, modern seating solution.

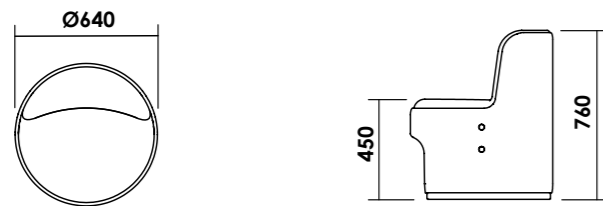


CIRCOLO

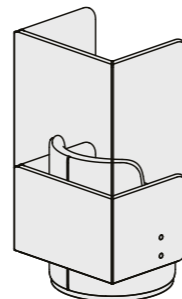
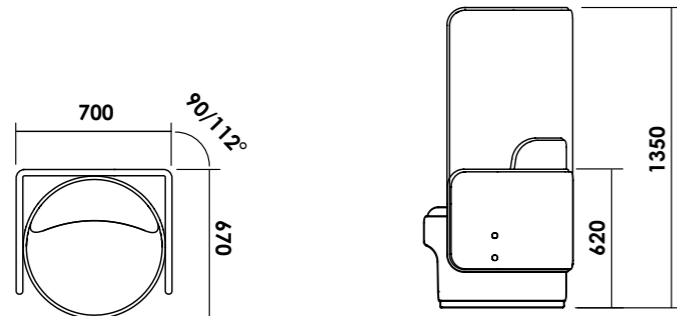
Loose Range

Dimensions

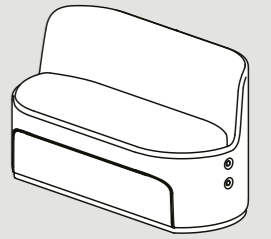
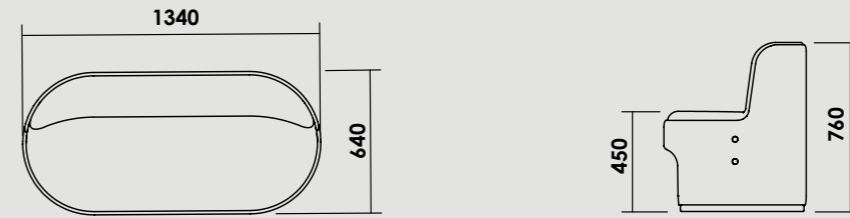
CIR-L-1010
CIRCOLO LOOSE - SINGLE SEAT



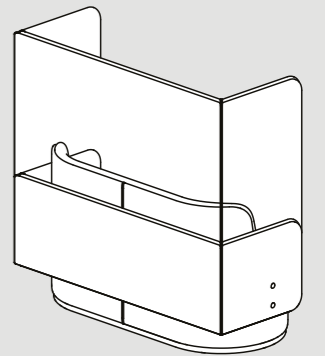
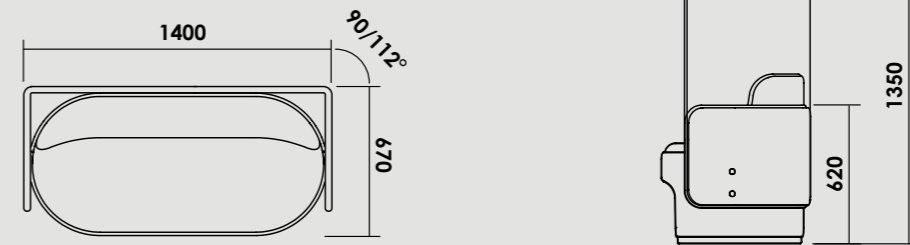
CIR-L-1010-LB/HB
WITH LOW - OR - HIGH PRIVACY SCREEN



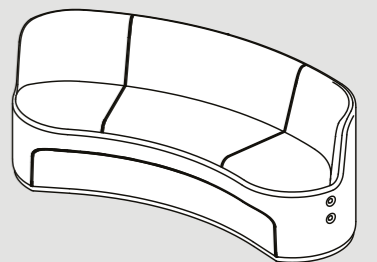
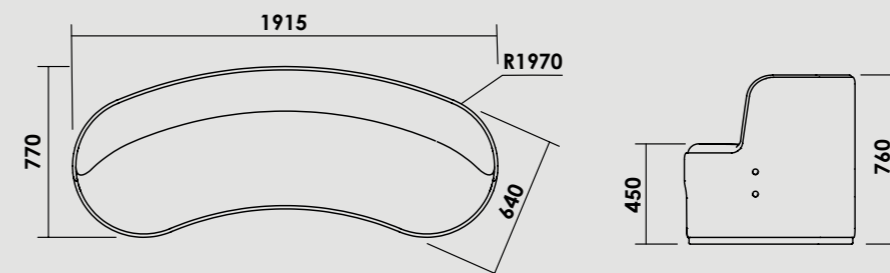
CIR-L-2010
CIRCOLO LOOSE - DOUBLE SEAT



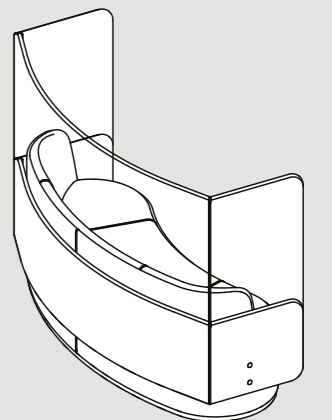
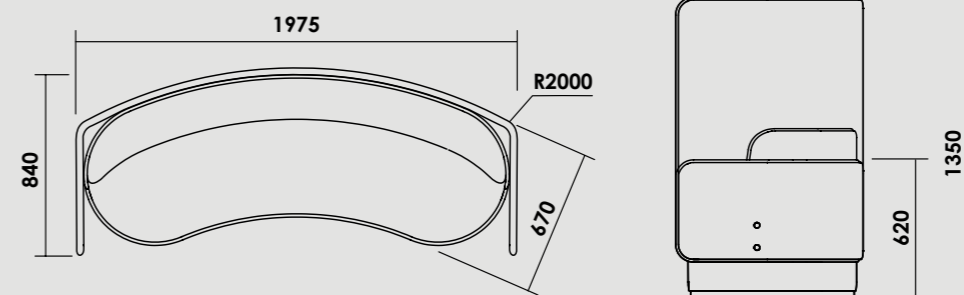
CIR-L-2010
WITH LOW - OR - HIGH PRIVACY SCREEN



CIR-L-3020
CIRCOLO LOOSE - TRIPLE SEAT CURVE



CIR-L-3020
WITH LOW - OR - HIGH PRIVACY SCREEN



CIRCOLO - Made in Australia
Upholstered in-house in Australia, the
CIRCOLO Range offers endless colour
options to complement any environment.



CIRCOLO Loose Seating & Ottoman Range
Combine to create an open, yet defined,
collaborative space within the workplace.



CIRCOLO

Modular Range

Designed as geometric connecting pieces, the Modular range allows end-users to create customised seating environments that cater to their specific needs.

This interaction provides a logical set of building blocks to form an adaptable modular system that includes armchairs, sofas, low and high back elements.

The segments can be combined to create uniquely shaped zones that invite comfort, focus, interaction, or relaxation.

01 **CIR-M-1010**
Modular Single Seat
700x640x760mmH

02 **CIR-M-1020-LHD/RHD**
Modular Single Seat
D-End LHS/RHS
870x640x760mmH

03 **CIR-M-1030**
Modular Single Seat
90° Curve
956x688x760mmH

04 **CIR-M-1040**
Modular Single Seat
45° Curve
1097x698x760mmH



CIRCOLO Modular Range Cont'd

05 **CIR-M-2010**
Modular Double Seat Straight
1400x640x760mmH

06 **CIR-M-2020-LHD/RHS**
Modular Double Seat
D-End LHS/RHS
1370x640x760mmH

07 **CIR-M-2030**
Modular Double Seat
90° Curve
1890x860x760mmH

08 **CIR-M-2040**
Modular Double Seat
45° Curve
1610x750x760mmH

09 **CIR-M-2050**
Modular Double Seat
45° Convex Curve
1540x750x760mmH

Warranty
7 years structural warranty





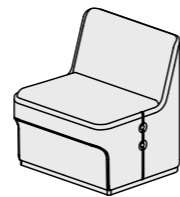
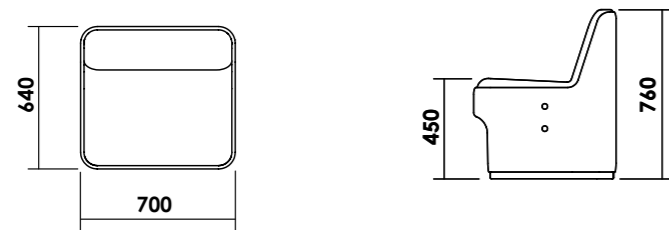
The CIRCOLO Modular Range
Creates inviting zones for interaction,
bringing structure to open spaces and
fostering collaboration in any modern
environment.

CIRCOLO

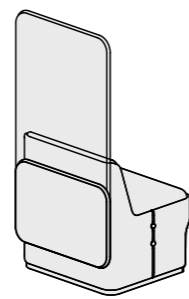
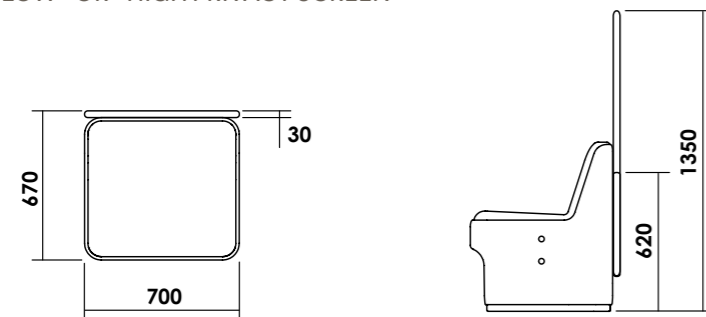
Modular Range

Dimensions

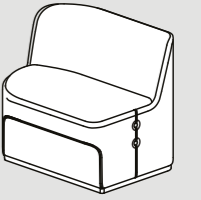
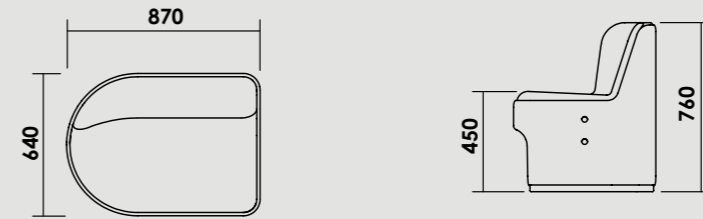
CIR-M-1010
CIRCOLO MODULAR - SINGLE SEAT STRAIGHT



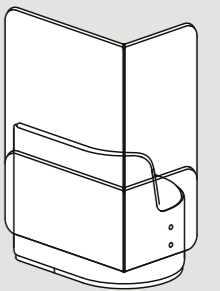
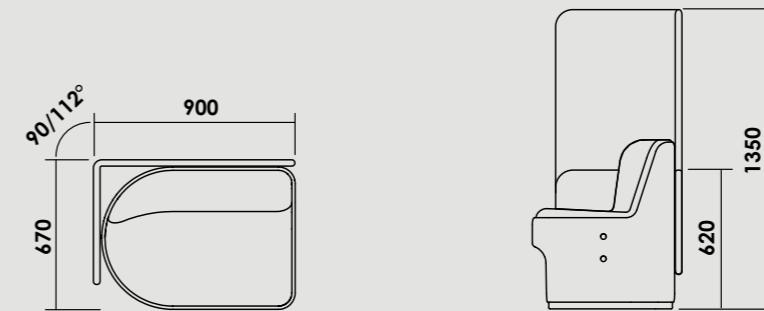
CIR-M-1010-LB/HB
WITH LOW - OR - HIGH PRIVACY SCREEN



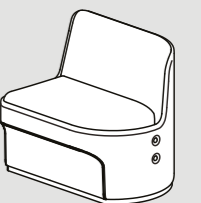
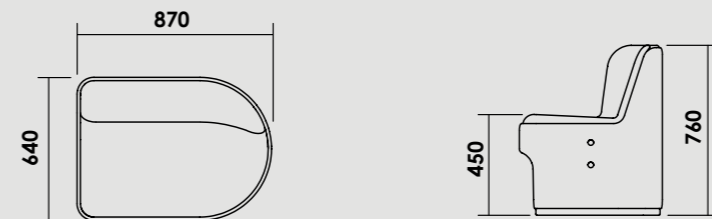
CIR-M-1020-LHS
CIRCOLO MODULAR - SINGLE SEAT
D-END LHS



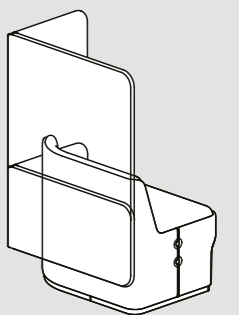
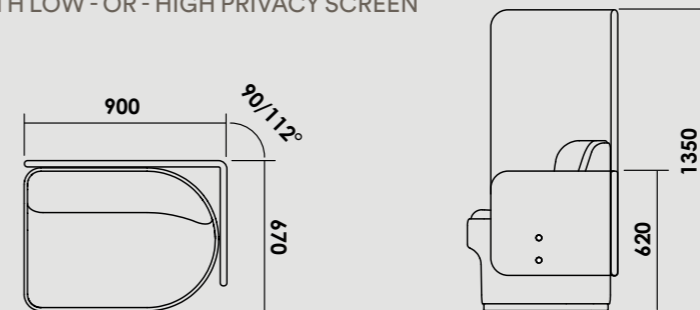
CIR-M-1020-LHS-LB/HB
WITH LOW - OR - HIGH PRIVACY SCREEN



CIR-M-1020-RHS
CIRCOLO MODULAR - SINGLE SEAT
D-END RHS

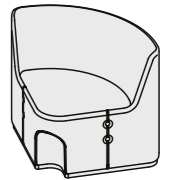
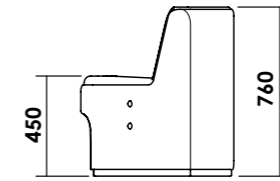
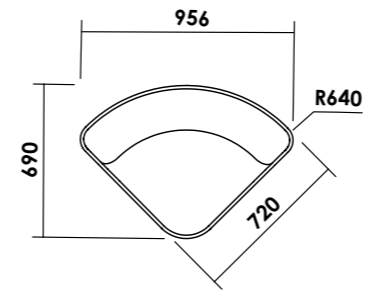


CIR-M-1020-RHS-LB/HB
WITH LOW - OR - HIGH PRIVACY SCREEN

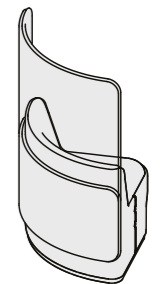
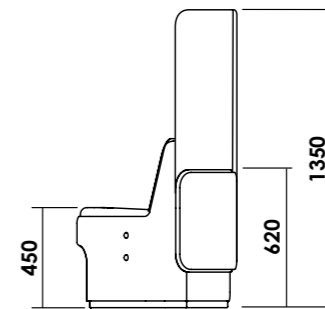
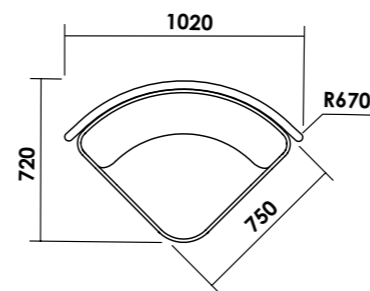




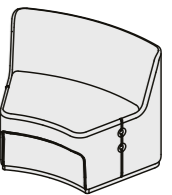
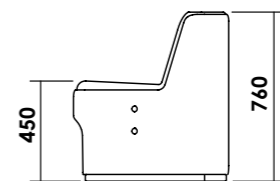
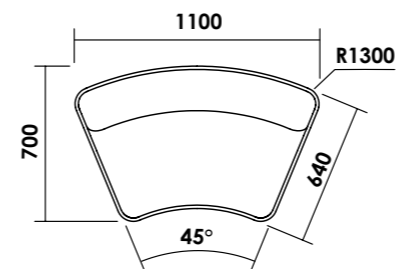
CIR-M-1030
CIRCOLO MODULAR - SINGLE SEAT - 90DEG CURVE



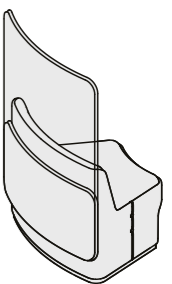
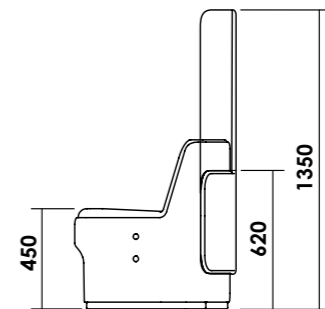
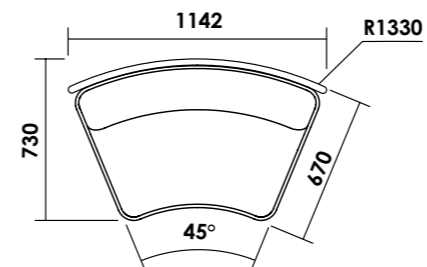
CIR-M-1030-LB/HB
WITH LOW - OR - HIGH PRIVACY SCREEN



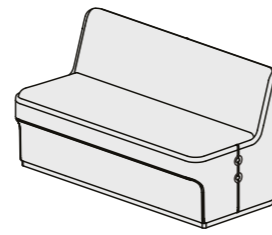
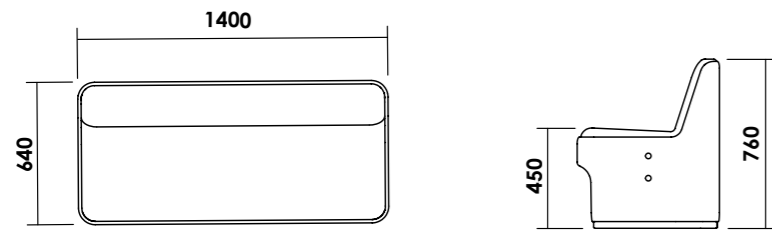
CIR-M-1040
CIRCOLO MODULAR - SINGLE SEAT - 45DEG CURVE



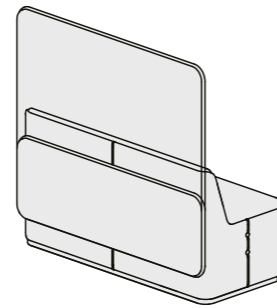
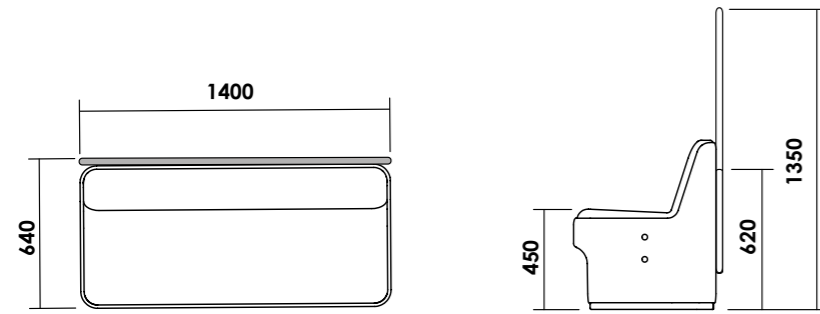
CIR-M-1040-LB/HB
WITH LOW - OR - HIGH PRIVACY SCREEN



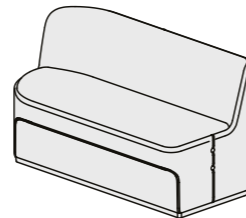
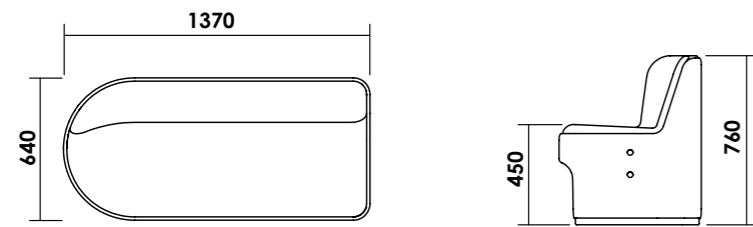
CIR-M-2010
CIRCOLO MODULAR - DOUBLE SEAT - STRAIGHT



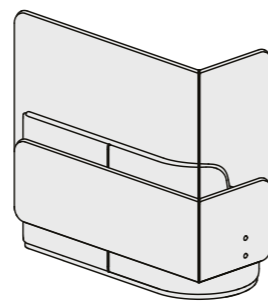
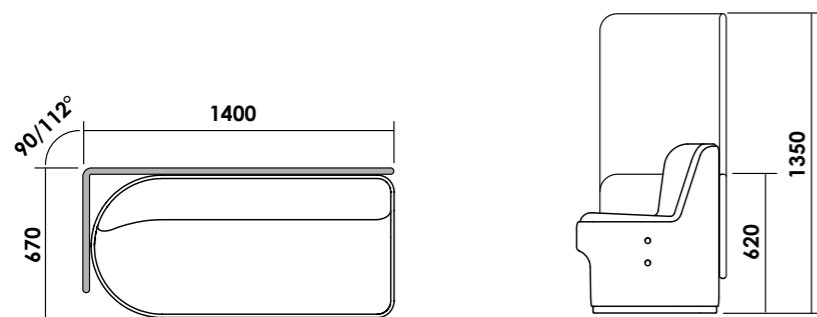
CIR-M-2010-LB/HB
WITH LOW - OR - HIGH PRIVACY SCREEN



CIR-M-2020-LHS
CIRCOLO MODULAR - DOUBLE SEAT - STRAIGHT - D-END LHS

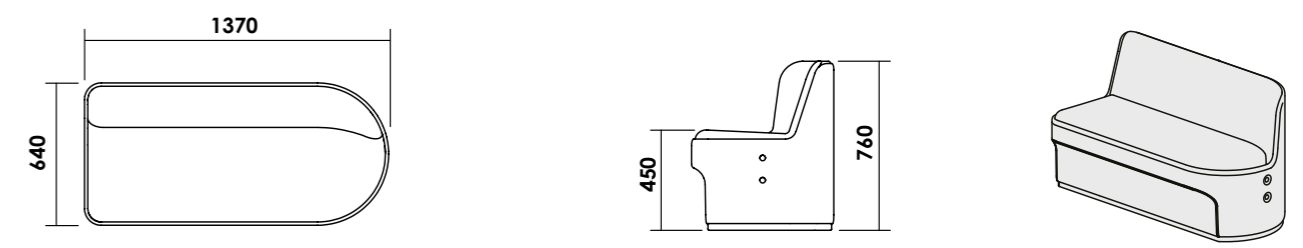


CIR-M-2020-LHS-LB/HB
WITH LOW - OR - HIGH PRIVACY SCREEN

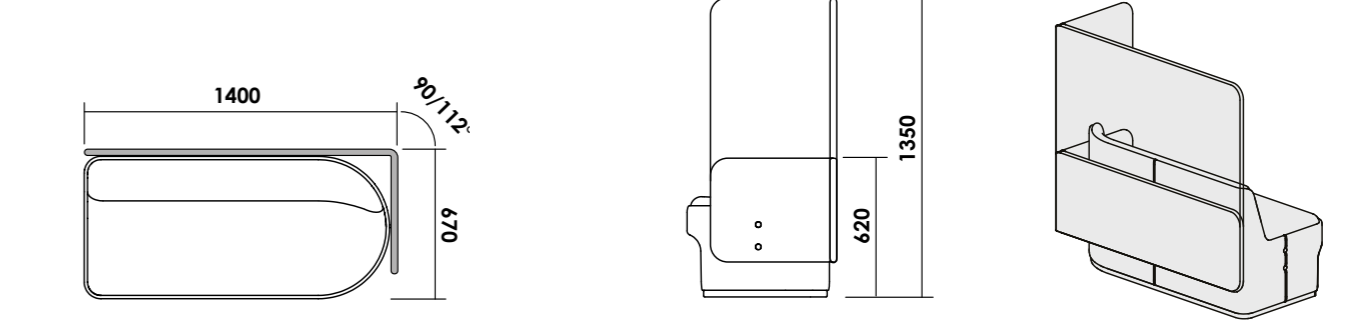




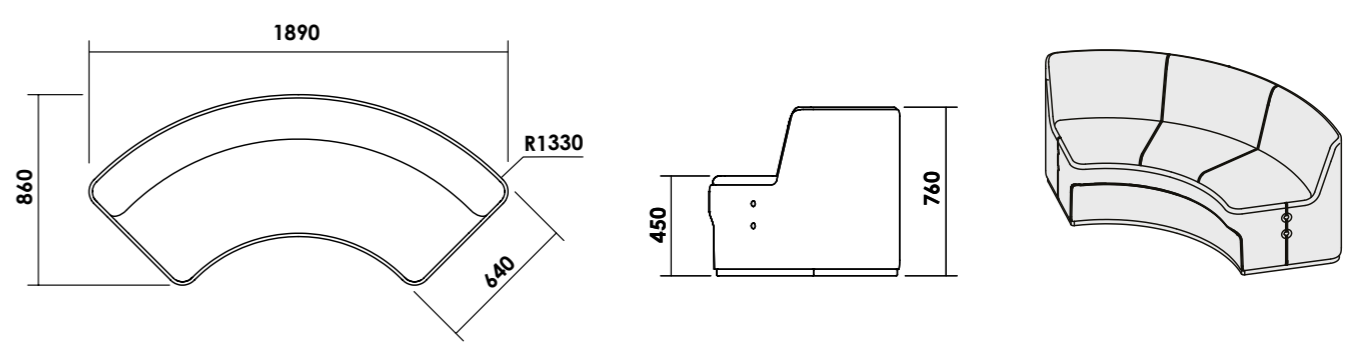
CIR-M-2020-RHS
CIRCOLO MODULAR - DOUBLE SEAT - STRAIGHT - D-END RHS



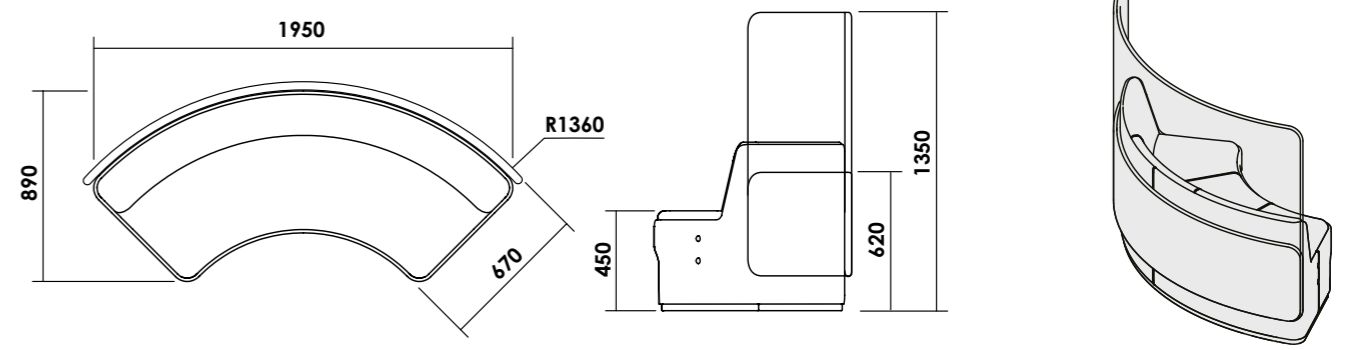
CIR-M-2020-RHS-LB/HB
WITH LOW - OR - HIGH PRIVACY SCREEN



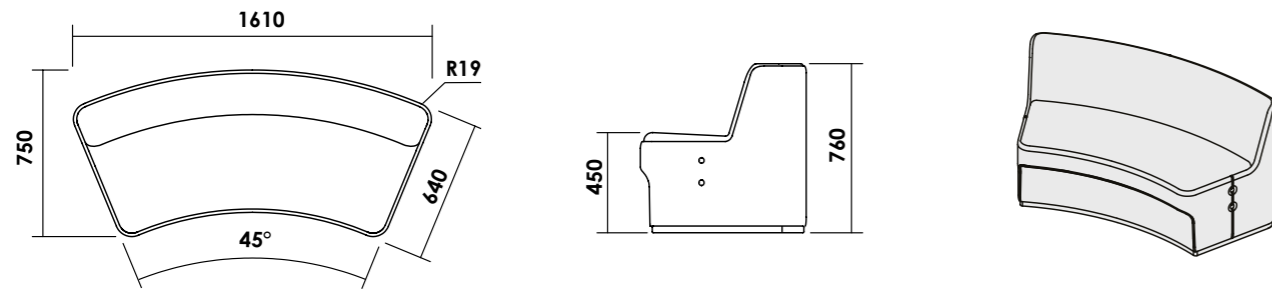
CIR-M-2030
CIRCOLO MODULAR - DOUBLE SEAT - 90DEG CURVE



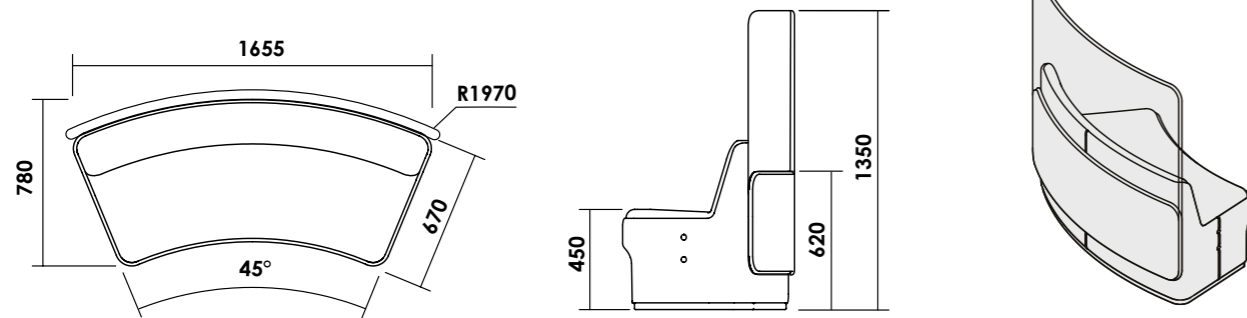
CIR-M-2030-LB/HB
WITH LOW - OR - HIGH PRIVACY SCREEN



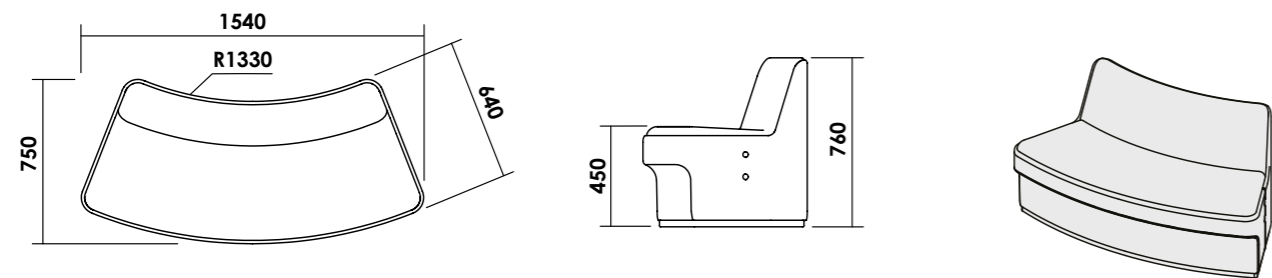
CIR-M-2040
CIRCOLO MODULAR - DOUBLE SEAT - 45DEG CURVE



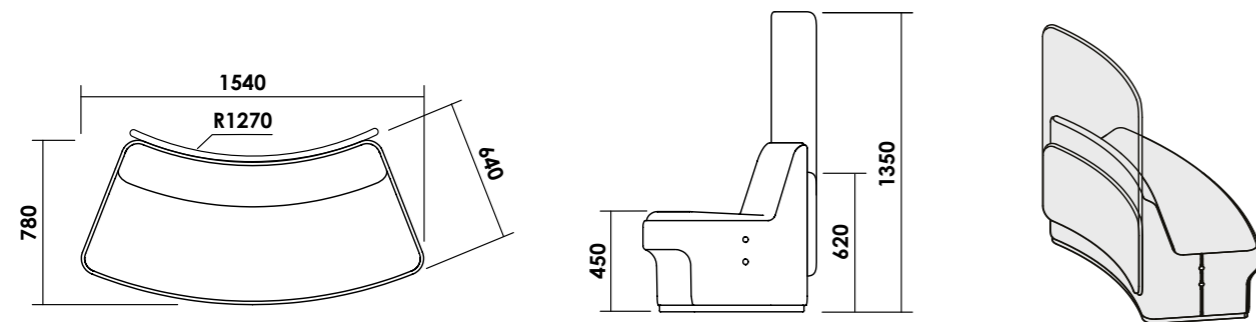
CIR-M-2040-LB/HB
WITH LOW - OR - HIGH PRIVACY SCREEN



CIR-M-2050
CIRCOLO MODULAR - DOUBLE SEAT - 45DEG CONVEX CURVE



CIR-M-2050-LB/HB
WITH LOW - OR - HIGH PRIVACY SCREEN





The CIRCOLO Modular Range
Is available with or without privacy
screens, offering flexible solutions and
bringing structure to open spaces.

CIRCOLO Booth

- 01 **CIR-B-2000**
Circolo Booth 2 Person
640W x 640D x 450mmH
- 02 **CIR-B-4000**
Circolo Booth 4 Person
1340W x 640D x 450mmH

Warranty
7 years structural warranty

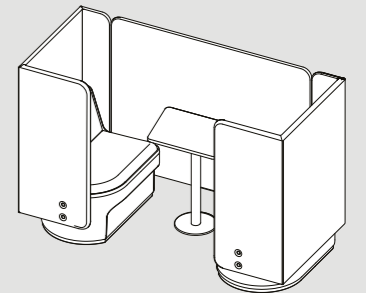
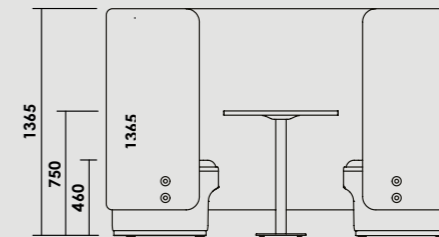
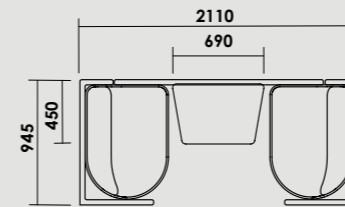
The CIRCOLO Booth range offers a two or four-person booth, specifically designed as a privacy solution for open-plan workplaces.

These booths provide a muted surrounding when peaceful space is required within lobbies, meeting areas, or breakout zones.

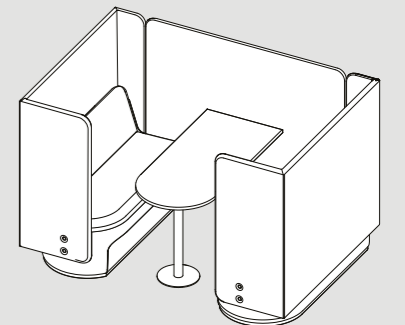
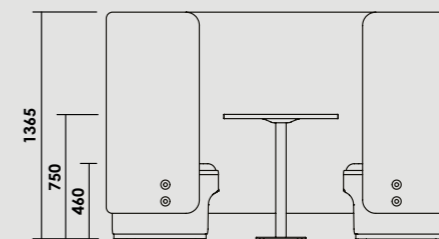
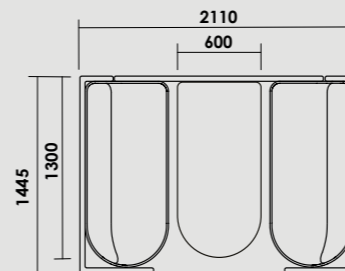
By offering a quiet environment for catchups, socialising, or relaxation, the CIRCOLO Booth significantly enhances productivity and fosters a more effective work atmosphere.



CIR-B-1020
CIRCOLO BOOTH - 2 PERSON



CIR-B-2020
CIRCOLO BOOTH - 4 PERSON





The CIRCOLO 4-Person Booth
In an open space creates a quiet zone, offering a perfect setting for conversations or casual meetings.

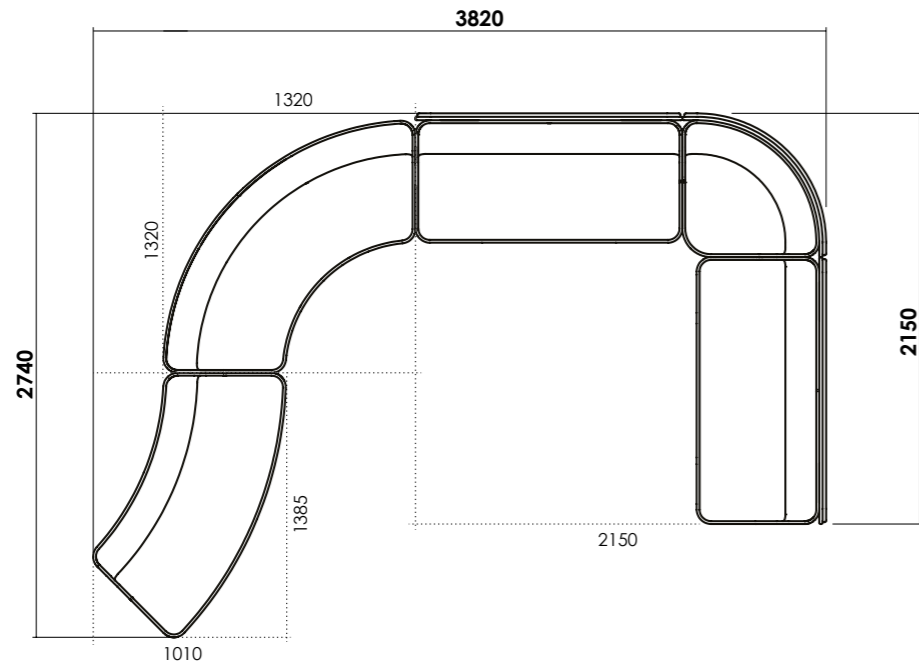
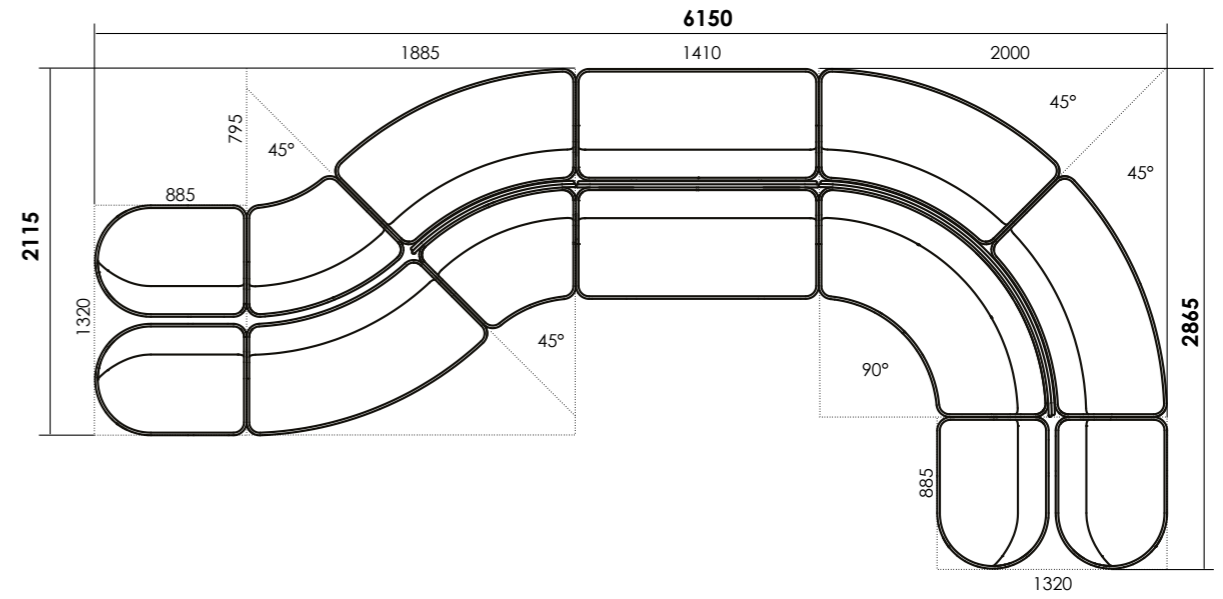
Design Support

Thinking Works in-house design support offers tailored solutions for workspace needs.

Clients benefit from direct access to our designers, receiving personalised assistance in creating custom pieces, adapting designs, or optimising layouts.

Our design team provides technical communication, including shop drawings, renderings, and installation instructions, ensuring projects align with the client's vision.

Streamlined communication accelerates timelines, reduces errors, and guarantees high-quality results, making the design and manufacturing process smoother and more efficient.



Thinking Works

© Copyright 2026
All Rights Reserved

Head Office

Warehouse 2B/M5 Industry Park,
1 Moorebank Avenue, Moorebank,
New South Wales 2170, Australia
P: +61 (0)2 9726 7177
sales@thinkingw.com

Sydney Showroom

Level 3/140 William Street, Woolloomooloo
New South Wales 2011, Australia

www.thinkingw.com